

## STUART

### ST 25/80 (180) Circulator 230 V

The Stuart ST 25/80 Circulator features the latest in high efficiency technology offering an EEI rating of just 0.20 and proportional pressure control.

For use in new systems or as a replacement unit, this cast iron circulator is suitable for heating systems.



#### Features

- ECM permanent magnet technology
- Constant speed (3 settings)
- Proportional pressure control
- Automatic venting cycle
- Robust cast iron housing
- Continuously rated
- Ceramic bearings
- 180 mm fitting length
- EuP/ErP compliant

This product is an ideal replacement for:

Grundfos: UPS2 25-80

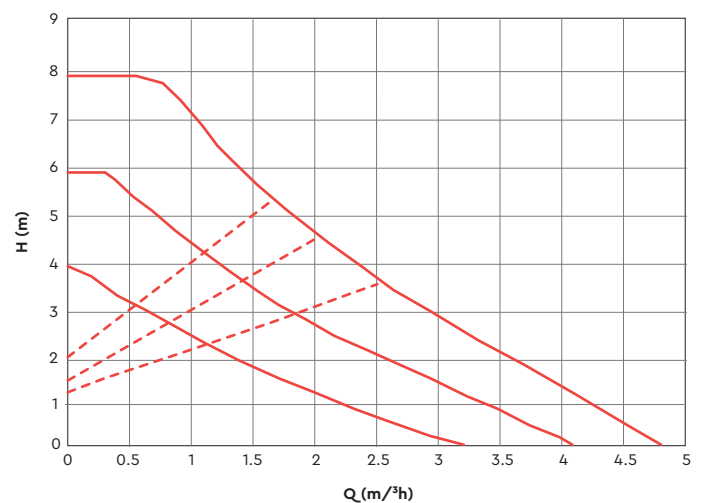
Wilo: Yonos Pico 25/1/8

Dab: Evotron 80/180

Grundfos: UPS 25/55

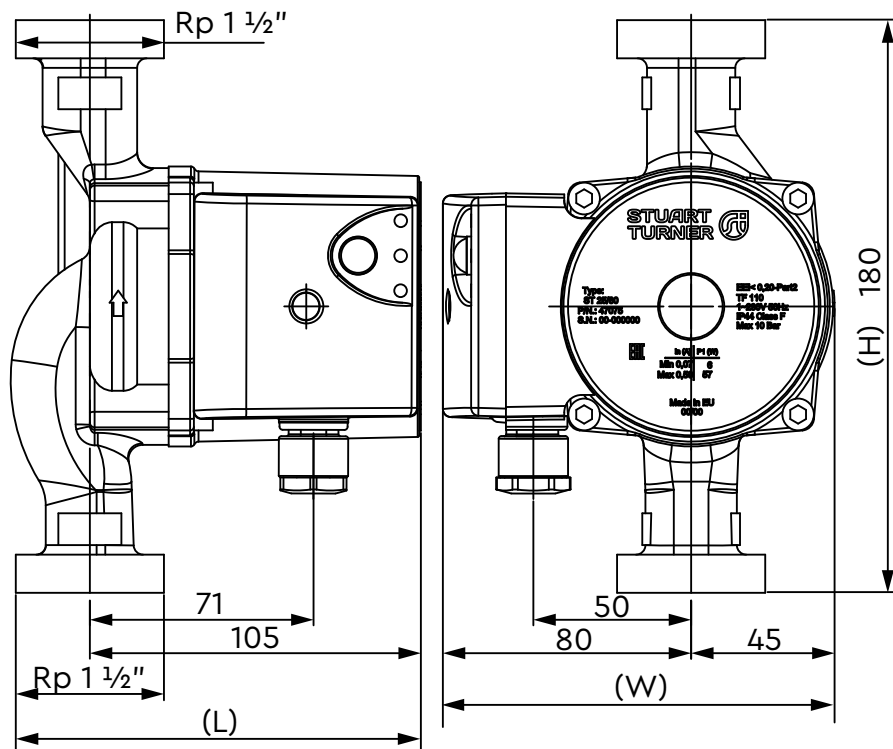
#### Application

- With a maximum performance of 4.5 m<sup>3</sup>/h and maximum head of 8 metres the ST 25/80 is a competitive solution to most domestic heating water return loop systems



Pump Model		ST 25/80 (180) Circulator 230 V 47075				
General	Warranty	5 year				
Features	Pump type	Centrifugal				
	Fitting length	180 mm				
	Speed settings	3				
Materials	Pump body	Cast iron				
	Impeller	Noryl				
	Bearings	Ceramic				
Performance	Maximum head (closed valve)	8 metres				
	Maximum flow	4.5 m <sup>3</sup> /h				
	Maximum working pressure*	10 bar				
	Min. inlet pressure	0.05 bar <75 °C (fluid temperature) 0.28 bar <90 °C (fluid temperature)				
	Maximum ambient air temperature	35	50	60	70	°C
	Max water temperature	110	100	90	80	°C
Connections	Pump connections	Rp 1½ "				
Motor	Type	Canned rotor				
	Duty rating	Continuous (S1)				
Electrical	Power supply / phase / frequency	230 V a.c. / 1 / 50 Hz				
	Power consumption	57 Watts (max.)				
	Current (full load)	0.5 Amps				
	Fuse rating	5 Amps				
	Insulation class	F				
	EEL	0.20				
	Efficiency	36 %				
Physical	Enclosure protection	IP44				
	Length	130 mm				
	Width	125 mm				
	Height	180 mm				
	Weight	2.4 Kg				

\* The maximum pressure that can be applied to the unit under any installation conditions.



Stuart Turner Limited reserves the right to amend specifications without notice.