



Oisin Eco

Compact, Stylish and now even more economical!



The Oisin is one of our most favoured stoves due to its compact size and stylish design.

Now it's eco-friendly too with key modifications that are not only better for efficiency, but better for the environment too.

It's one of the few compact cast iron stoves that are ecodesign 2022 compliant, giving you peace of mind.



FEATURES & BENEFITS

- New Higher Efficiency of 81.4% on Wood and 81.5% on smokeless coal
- Cleaner combustion with the introduction of secondary air
- Window wash air to maintain a clean glass
- Ecodesign 2022 compliant and all benefits associated
- Smoke Exempt - The new Oisin Eco has undergone test work to have the product exempted for use on wood logs in smoke control areas
- Future proofed
- Available in 5 colours:

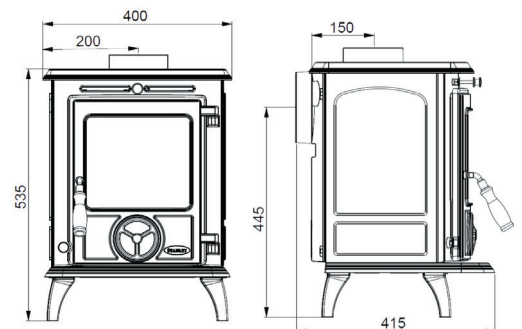
- ▶ SECONDARY AIR PROVIDES CLEANER COMBUSTION
- ▶ WINDOW AIR WASH TO MAINTAIN CLEAN GLASS
- ▶ 81.5% EFFICIENCY



SPECIFICATION

- Nominal Output 5.1kW / Max 6.4kW heat
- Dimensions: 400mm w x 535mm h x 415mm d
- 81.5% efficiency - three times more efficient than an open fire
- Fits into standard Fireplace
- Primary, Secondary and Tertiary Air
- Secondary air provides cleaner combustion
- Window wash air to maintain a clean glass
- Removable ash-pan
- High quality, cast iron build
- Suitable for all types of approved solid fuel
- Top and rear flue exit
- Tested & approved to European standard - EN 13240
- Ecodesign 2022 Approved
- A Energy Rating

DIMENSIONS





The Oisin Eco

Your favourite stove is now future proof



The Oisin Eco has all the key features which made it a firm favourite in our cast-iron range but we've added new and innovative ecodesign to help save the environment while you save money. We've increased the efficiency through upgraded technical changes to the grate and baffle system and improved the combustion when burning wood logs too.

The secondary air flow allows for a cleaner glass so you can enjoy your fire to full effect.

Ecodesign is the European-wide programme to lower emissions to improve air quality from a range of appliances that use energy including stoves and will come into force 1st January 2022. It will apply to both wood burning and solid fuel stoves.

Why choose an Ecodesign stove?

- Minimum efficiency rating of 75% for stoves
- Reduced CO (Carbon monoxide) –88%
- Achieves limit for emissions of NOx
- Compliant for Particulate matter and organic gaseous compounds



Contact us for further information:



waterfordstanley.com



051 302 300



[waterfordstanley](https://www.facebook.com/waterfordstanley)