
Montfort MK2

Wood burning stove

BS EN 13240

Model : 134 05 02

Nominal output : 4,8 kW



Description of the appliance

Installation instructions

Operating instructions

Spare parts

Warranty certificate

Document n°1295-2 - 21/10/2009

Technical manual

to be saved

by the user

for future reference



FRANCO BELGE

STAUB FONDERIE

SARL with the capital of 10.000.000 €

Head Office Address

2, rue Saint Gilles

68230 TURCKHEIM

RCS de Colmar

SIREN 444 881 953

Address

Administration and manufacturing

BP 73

59660 MERVILLE (FRANCE)

Téléphone : 03 28 43 43 00

Fax : 03 28 43 43 99

Subject to modifications.

FRANCO BELGE congratulates you on your choice.
FRANCO BELGE, guarantees the quality of its appliances and is committed to meet its customers' needs.
FRANCO BELGE, which can boast a 80-year experience in the industry of heating devices, uses state-of-the-art technologies to design and manufacture its whole range of products.
This document contains instructions on how to install your appliance and make full use of its functions, both for your comfort and safety.

CONTENTS

Product information	p. 3
Package.....	p. 3
General characteristics	p. 3
Description	p. 3
Principle of operation.....	p. 3
Installation instructions	p. 4
Warning to the user	p. 4
The room.....	p. 4
Chimney	p. 5
Mounting the flue collar	p. 5
Top flue outlet.....	p. 5
Rear flue outlet	p. 5
Chimney connector	p. 5
Pre-utilisation check	p. 5
Door closing pressure	p.6
Maintenance of the chimney.....	p. 6
Removing and replacing the flue baffle	p. 6
Instructions for user	p. 7
Fuel.....	p.7
Instructions for use with wood	p. 8
Cleaning	p. 8
Maintenance of the chimney.....	p. 8
Maintenance of the stove.....	p. 8
Recommendations	p. 9
Trouble shooting	p. 10
Spare parts	p. 11

This appliance is meant to burn wood safely

WARNING

Incorrectly installed, this appliance can be dangerous and possibly cause serious accidents. We recommend that you engage the services of a professional engineer for its installation and the regular maintenance requirements

1. Product information

1.1. Package

- 1 package : stove.

1.2. Optional equipment

- Kit intake air

1.3. General characteristics

Reference	134 05 02
Nominal output	kW 4,8
Chimney draft required	Pa 12
Hearth dimensions	
- width	mm 335
- depth	mm 205
- height	mm 250
Log dimensions	
- lenght maxi	cm 20
Ash pan capacity	litres 2,2
Net weight	kg 81
Heated Volume	m3 130
Efficiency	% 75
Co (13% O ²)	% 0,34
- Smoke temperature.....	°C 307

The performances indicated result from tests carried out in accordance with standard EN 13240 with a fuel mass 1,4 kg and a draught of 12 Pa.

1.4. Description

Stove, in conformity with **EN 13240**

- Intermittent-burning heating appliance.
- Detachable flue spigot for rear or top chimney connection.
- Front loading door fitted with large refractory glass panel.
- Adjustable air controls for controlling the burning rate.
- Large ash-pan.
- Air wash system

1.5. Principle of operation

The "Montfort MK2" is designed for operation with the door closed. Heat is mainly diffused by radiation, through the window and body of the appliance.

Combustion occurs on the grate, with draught entry through the top of the combustion chamber.

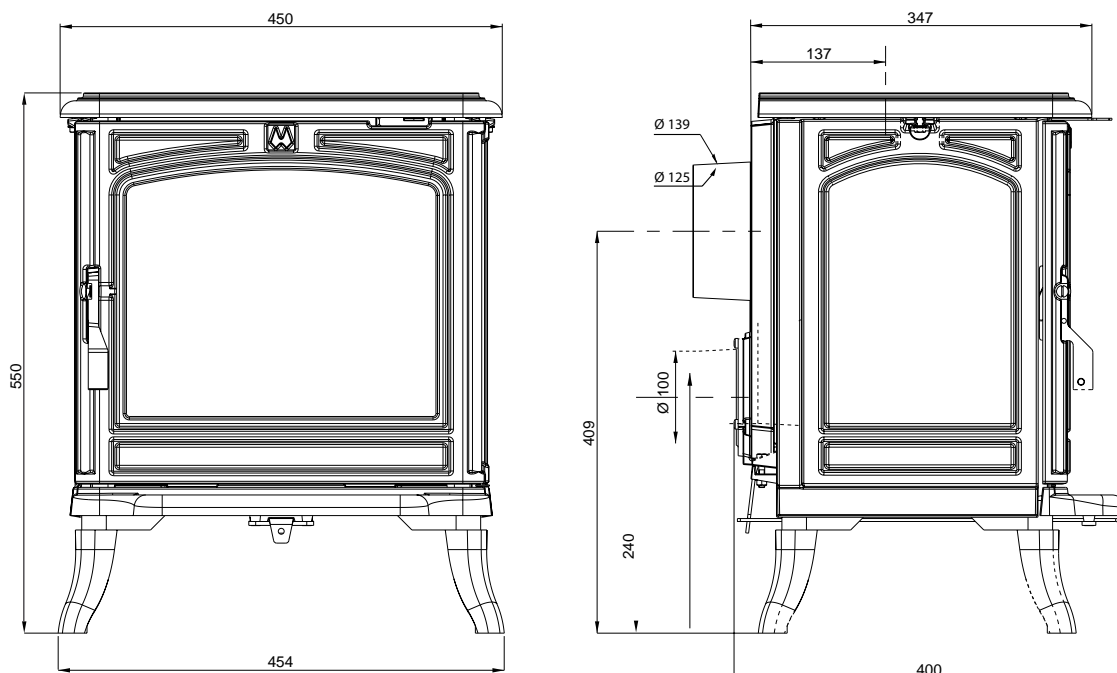


Figure 1 - Dimensions in mm

2. Installation instructions

2.1 Warning to the user

All the local and national regulations, and in particular those relating to national and European standards, must be observed when installing the appliance.

An incorrectly installed heating appliance can cause serious accidents (chimney fires, burning of plastic insulation materials in partition walls, etc.).

The insulation of both the appliance and the exhaust gas pipe has to be reinforced and done according to the Standards and the Building Regulations for safety reasons. The installation must be carried out according to the standards and the Building Regulations.

It is the installer responsibility to ensure that the manufacturer's instructions are complied with.

2.2. The room

Ventilation : To ensure that the appliance operates correctly it is vital that sufficient air is provided for combustion purposes. Check that sufficient air is available in the room for combustion. If a VMC (controlled mechanical ventilation) is present, the room pressure will be low and a non-closing external air intake must be installed in addition to the chimney itself of a minimum 50 cm².

Position of the unit : For new installations, select a central position within the house, to provide a good heat distribution around the building.

The heat distribution towards the other rooms will be made through the communicating doors.

These rooms must be in negative pressure or must include ventilation gratings.

Floor and walls :

Make sure that the floor can support the weight of the appliance, it's flue and any surround. The floor May need to be re-inforced with e concrete screed to distribute the weight load. The floor must not be made of or covered with combustible materials, as per the Building Regulations. If combustible material is present it will be necessary to install a non-combustible covering.

There must be a clearance of at least 150 mm at each side of the appliance and at the back of the appliance from a **non-combustible wall**.

This distance must be extended to a minimum clearance of 550 mm from any combustible materials (figure 2a). This measurement may be reduced to a minimum gap of 50 mm when the non-combustible wall is at least 200 mm thick.

When using a single wall flue pipe, there must be a clearance (A) of at least three times its diameter (B) from any combustible materials.

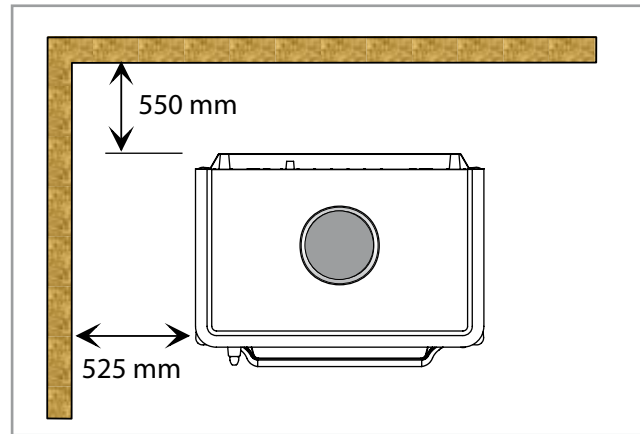


Figure 2 a - Clearance

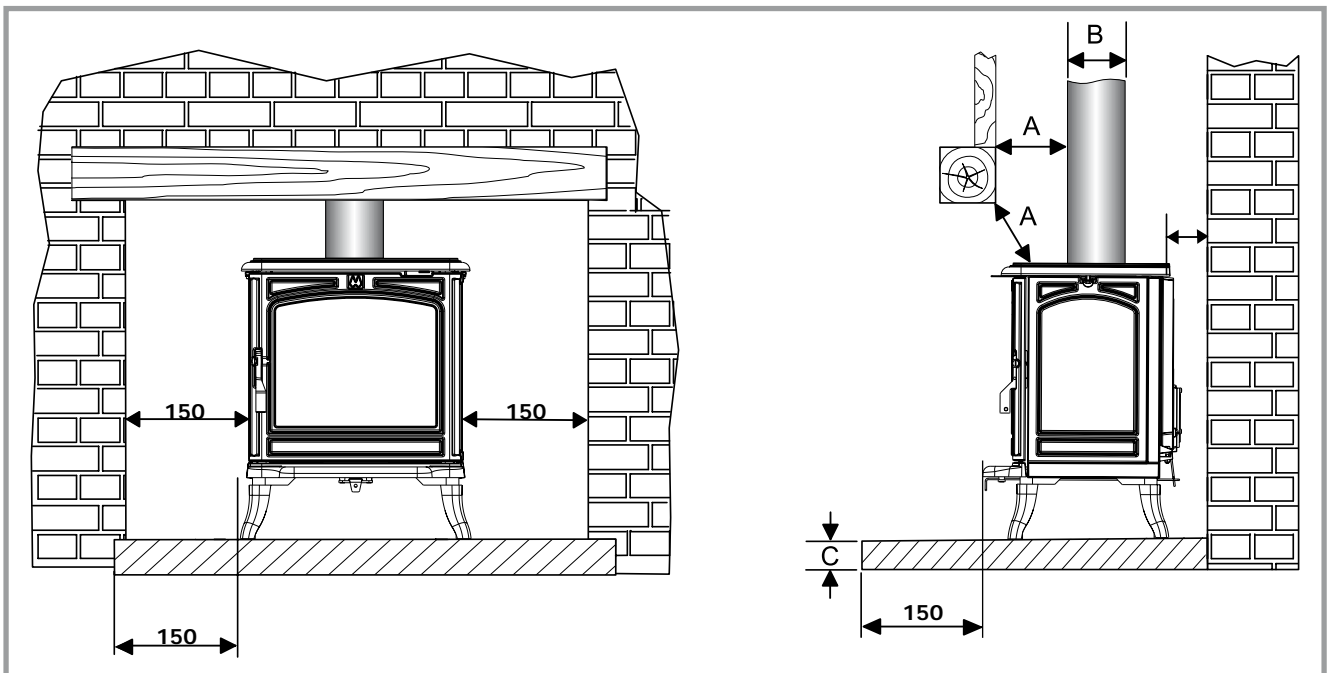


Figure 2 b - Clearances

If the appliance has to be located in an opening, this distance must be extended to a minimum clearance (A) of 550 mm from the pipe or the stove body to any combustible materials.

Hearth : The appliance must stand on a fireproof hearth.

It is possible to provide a hearth made of non combustible board/sheet material or tiles at least 12 mm thick (C).

Constructional hearths should be constructed of solid non combustible material at least 125 mm thick (including the thickness of any non combustible floor under the hearth).

The hearth must protrude at least 225 mm in front of the stove and 150 mm each side.

If the hearth is constructed on timber, there must be a clearance of at least 250 mm from the timber to the top surface of the hearth. See section J of the Building regulations.

Do not place any combustible materials in front of the stove within a distance of 115 cm.

Be aware that the distances given are the minimum required, however take into consideration that you need to have sufficient space for cleaning and maintenance purposes.

Do not place any object or combustible material, curtains, hangings, etc... within the safety distances.

2.3. Chimney

Existing flue : The chimney must comply with Current Building Regulations. If in doubt, consult your Dealer or local Building Inspector.

- The flue must be in good condition and must provide sufficient draught.
- The flue must be suitable for the installation of solid fuel burning appliances and comply with Current Building Regulations.
- The flue must be clean. It should be swept to remove soot and dislodge tar deposits.
- The flue must be well insulated. If the flue inner wall surfaces are cold, a good thermal draw is impossible causing condensation problems (tar formation etc) to occur.
- The flue must not be shared with other appliances.
- The chimney must be at least 4.5 m (15 ft high).
- In case of a flat roof or when the roof gradient is lower than 15°, the stack must be 1,2 m (4 feet) high at least.
- If the chimney has any down draught tendency, due to its position in relation to nearby obstacles, then an anti-down draught cowl must be installed on the chimney or the chimney height must be increased.
- If the decompression in the chimney is excessive, a draught stabiliser must be installed.

Chimney to be built / new flue : The chimney must comply with Current Building Regulations. If in doubt, consult your Dealer or local Building Inspector.

- The appliance must not support the weight of the flue.
- Consult a chimney specialist for advice on suitable flue systems for solid fuel appliances.
- It must be distant from any combustible material (walls, cross members)
- Easy sweeping access must be provided.

2.4 Mounting the flue collar

The stove is supplied with a connection flue spigot with an inner diameter of 125 mm and an outer diameter of 139 mm.

2.5 Top flue outlet

The stove is set from the factory with a top outlet.

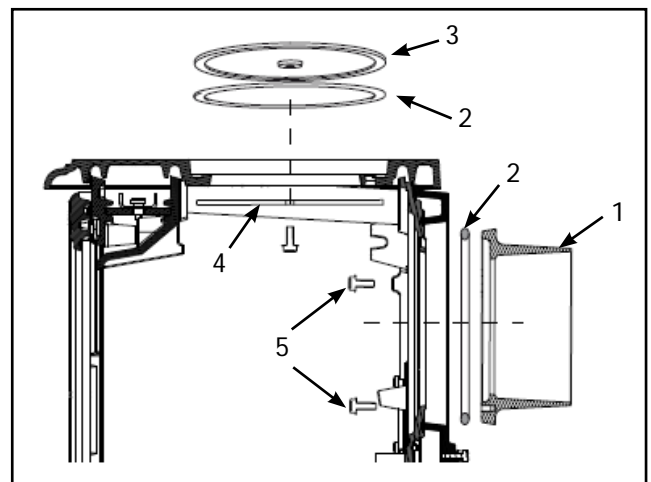


Figure 3 - Smoke exit at rear

2.6 Rear flue outlet (Figure 3)

- **Do not remove the cast iron top.**
- Remove the internal baffle.
- Removed the flue spigot 1.
- Place the seal rope 2 within the groove, fix the blanking plate 3 and the clamp 4 and ensure a good tightness.
- Place the seal rope 2 within the groove, screw into position the Flue collar 1 and ensure a good tightness.
- Refit the flue baffle (see figure 5 and 6).

2.7. Chimney connector

The connection to flue must be carried out according to local building regulations.

- The stove must be installed as close as possible to the chimney.
- The connector pipe must be approved for installation with combustion products (either 24 ga. black painted or blued steel or 316 grade 20 ga. Stainless steel or 1 mm vitreous enamelled steel).
- Pipe diameter must not be less than the appliance spigot diameter. Otherwise the reducing must be

1 diameter lower than the flue spigot and be situated as distant as possible from the flue connection of the appliance.

- The connection can be either vertical or horizontal. For horizontal connections, avoid right angle bends.
- The join between the connection pipe and the stovepipe, and the flue, must be leak tight.
- For the premises equipped with a mechanical controlled ventilation, the airtightness has to prevent the exhauster drawing out the smokes from the exhaust gas pipe.
- The connection pipe and any draught stabiliser must have access for cleaning.
- The spigot should be connected to a minimum of 125 mm flue system and in that case the appliance is capable of burning untreated wood.

2.8. Pre-utilisation check

Check the condition of the door rope seals. Check the door closes correctly and that the glass is not damaged. Ensure that all internal packaging materials have been removed and are not blocking any of the air passages. Check that all removable internal components are correctly installed as they may have moved in transit.

Note : all gaskets glass fiber ropes, seals, are consumable parts and must be changed on a regular basis by the user.

2.9. Door closing pressure (Figure 4)

The closing latch rotates around a pressure screw positioned cam.

- Loosen pressure screw 1,
- Turn cam to desired position. 2,
- Tighten pressure screw 1.

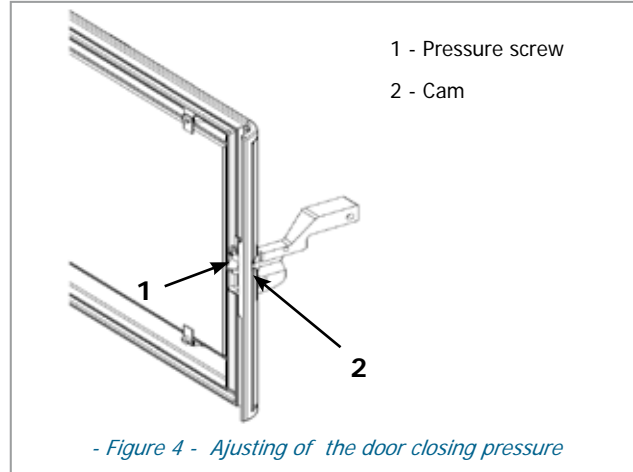
2.10. Maintenance of the Chimney

Very important : To avoid accidents (chimney fire,

etc.), regular maintenance should be carried out.

If the stove is regularly used, the chimney should be swept several times per year, together with the stovepipe connection section.

If the chimney catches fire, you must cut off the flue draught, close the doors and windows, hatches and keys and call the Fire Brigade without delay.



DO NOT OPEN THE DOOR OF THE APPLIANCE (OR AIR INLET) UNDER ANY CIRCUMSTANCES.

Chimney condition **should be checked at least once per year by a professional engineer.**

2.11. Removing and replacing the flue baffle (figure 5 et 6)

(figure 5 et 6)

- Open the front door
- Remove the fuel retainer
- Remove the 2 screws (#1)
- Remove the 2 screws (#2)
- Remove the flue baffle (#3)

If necessary, change the 2 gaskets (see p. 12 n°16) and replace the flue baffle in the reverse order.

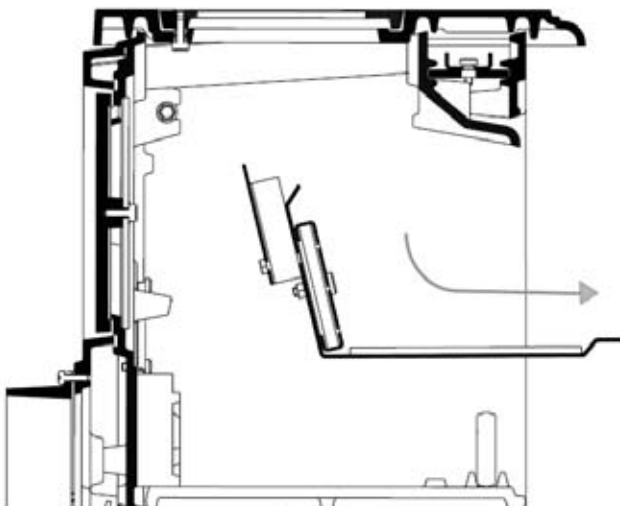


Figure 5 - Removing the flue baffle

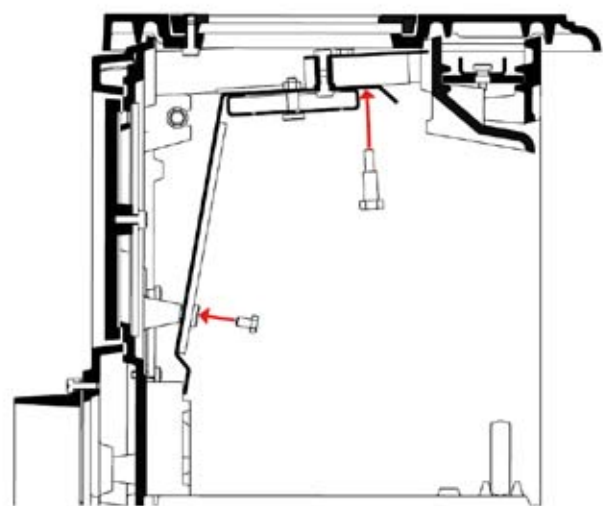


Figure 6 - Replacing the parts

3. Instructions for user

The manufacturer will not be responsible for any damage caused to the appliance due to the incorrect use or installation of the appliance e.g. prohibited fuel use and any alterations made to the appliance which have not been authorised by the manufacturer. **We recommend that you use only the manufacturer's own brand spare parts.**

All the local and national regulations, and in particular those relating to national and European standards, must be observed when using the appliance.

Do not run the stove in mild weather with fuel. Under certain circumstances such as fog and repeated thaw, the chimney will not draw sufficiently and could cause smoke to return to the room which could cause asphyxia. Await improved weather conditions before attempting to burn fuels again however you can continue to use the appliance with Wood.

On the first firing, a Small fire should be lit and be increased gradually to enable the various components to expand normally and for the appliance to cure correctly.

Note : When the fire is lit for the first time, the stove may give off fumes from the new paint. This is normal but ensure the room is well ventilated during the first few hours of operation.

Warning : properly installed and operated this appliance will not emit fumes into the dwelling. Occasional fumes from de-ashing and re-fuelling may occur. Persistent fume emission is dangerous and must not be tolerated. If fume emission does persist : Open doors and windows to ventilate room. Let the fire out and dispose of fuel from the appliance.

Check for flue or chimney blockage, and clean if required.

Do not attempt to relight the fire until the cause of the fume emission has been identified and corrected. If necessary seek expert advice.

Note : It is recommended to use a fireguard in the presence of children, and also in the presence of old and/or infirm people.

3.1. Fuel

This appliance is not an incinerator.

Recommended fuel : Wood

- Use hard wood logs, which have been cut for at least two years and stored, under shelter.
- Hardwood has a higher calorific value per cu metre (oak, ash, maple, birch, elm, beech, etc.).
- Large logs must be split and cut to a usable length, before being stored in a sheltered and ventilated place.

Not recommended as fuel :

- "green wood". Green or damp wood reduces stove efficiency and soils the glass, the internal walls and the flue (soot, tar, etc.).
- "used timbers". Burning treated wood (railway sleepers, telegraph poles, offcuts of plywood or chip board, pallets, etc.) quickly clogs the flue ways (soot, tar, etc.), pollutes the environment (pollution and smell, etc.) and cause the fire to burn too quickly and overheat.
- "Green wood" and "recovered wood" can eventually cause a chimney fire.

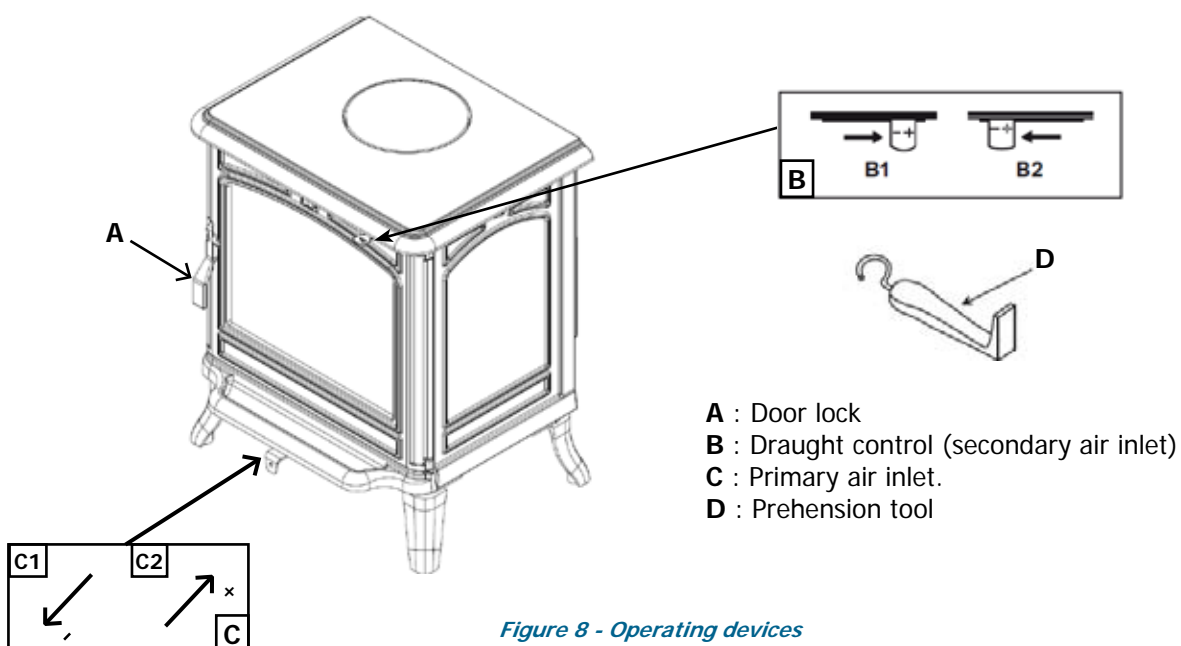


Figure 8 - Operating devices

- **Prohibited fuel** : Homefire and any form of bituminous coal or petroleum based coke.

3.2. Instructions for use with wood

(Figure 8)

3.2.1. Lighting

- Slide the secondary air inlet (# B1) to the right Open the primary air inlet (# C1) during 10 minutes.
- Lay firelighters or rolled up newspapers on the grate with a reasonable quantity, if necessary, of dry kindling wood.
- Light the newspaper or firelighters using a long taper and push the door to against the latch without closing it.

After a few minutes, when the flames from the kindling are reducing, add two small logs (half logs) and left the door ajar again.

Wait a few minutes for add a full load, and again left the door ajar until the load is burning well.

Close the door and the primary air inlet (#C2).

- The burning rate can now be lowered by moving the top air control to the left. For a nominal output, use the stove with the secondary air at about 80% open.

The airwash system works with the top airslide. When the top airslide is 80% open the system works at its strongest efficiency.

The more closed down the airslide is, the less effective the airwash will be (when shut down completely, the airwash system can not function).

3.2.2. Re-fuelling

- Open the glass door and add logs.
- Open the primary and secondary air settings fully for a few minutes in order to establish a good fire before closing the primary air and positioning the secondary air slider to the desired setting.

3.3. Cleaning

It is essential to keep the grate free from a heavy build up of ashes. The Belfort is equipped with a grate riddling device which is used to "shake" ashes off the grate into the ash pan.

Whenever the stove is burning without life when the lower spin wheel is open, use the riddling lever to clear the grate of surplus ashes.

REMEMBER TO BURN SOLID FUEL CORRECTLY, AIR SHOULD BE ALLOWED TO FLOW FROM THE ASH PIT AREA THROUGH THE GRATE AND THROUGH THE

FUEL. IF THE GRATE OR ASH PAN ARE CONGESTED, THE PERFORMANCE WILL BE EFFECTED.

If burning solid fuel, always empty the ash pan at least once a day or whenever it is full of ashes. Never allow the ashpan to overfill allowing ash to be in contact with the underside of the grate. If this condition is allowed, the grate will wear out pre-maturely.

3.4. Maintenance of the Chimney

Very important : In order to avoid any incident (chimney fire, etc...), maintenance tasks must be carried out regularly. If the appliance is regularly used, the chimney should be swept several times per year, together with the stovepipe connection section.

If the chimney catches fire, you must cut off the flue draught, close the doors and windows, hatches and keys, stop up the connection hole with wet cloths and call the Fire Brigade.

DO NOT OPEN THE DOOR OF THE APPLIANCE (OR AIR INLET) UNDER ANY CIRCUMSTANCES

Chimney condition should be checked at least once per year by a professional engineer.

3.5. Maintenance of the stove

- The appliance must be cleaned regularly, together with the connecting pipe and the flue pipe.
- Remove all deposits from the combustion chamber and clean the grate area.
- The glass should be cleaned with a soft cloth or kitchen paper dampened with a mixture of water and vinegar or general household glass cleaning spray. Only clean the glass when the stove is cold and never use abrasive cleaners or cleaning pads as This will scratch the ceramic glass.
- The "vitroc ceramic" glass will resist to temperatures of up to 750 C. Should the glass break due to misuse, it must be replaced by the manufacturer's own product.
- The external castings Can be cleaned using a soft lint-free cloth, which Can be used dry or slightly dampened. In case of any water splashes or condensation marks, these should be cleaned off before they have chance to dry out.
- Ensure that the fuel retainer is installed correctly (fig. 9).
- Check that there are no obstructions before relighting after a long period of disuse.
- The appliance must not be used with a flue serving several appliances.
- Ensure the grate is free from any obstruction and riddles freely.

Warning ! It is quite normal for enamel surfaces to have a crackling appearance during the operation of the stove and these tend to disappear again once the stove has cooled down. This is natural process which does not effect the quality of the enamel or the lifespan on the appliance.

3.6. Recommendations

This room heater is an appliance producing heat and may cause severe burns if touched.

The stove may still be hot even when fire has burnt out.

KEEP CHILDREN AWAY.

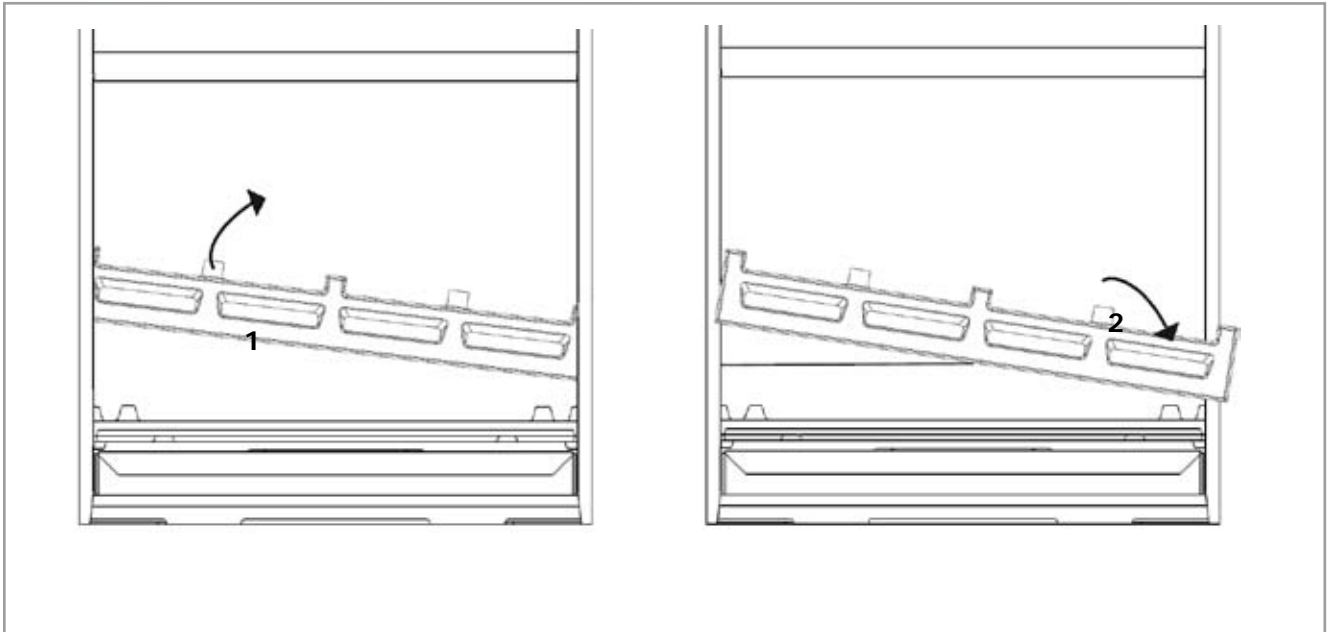


Figure 9 - Removing the fuel retainer

3.8. Trouble Shooting



■ : This sign means that you should ask for a qualified engineer to do the work.

<i>Problem</i>	Probable causes	- ACTION
<i>Fire difficult to start Fire goes out</i>	Wood green...or damp	Use hard wood logs, which have been cut for at least two years and stored, under a ventilated shelter.
	Logs are too big.	- To light the fire, use small, very dry twigs. To maintain the fire, use split logs.
	Poor quality wood	- Use hardwood that have a higher calorific value per cu metre (Yoke-elm, oak, ash, maple, birch, elm, beech, etc.)
	Not enough primary air	- Open air control.
	Insufficient draught ■	- Check that the flue is not obstructed, sweep it if necessary - Seek advice from a chimney specialist.
<i>Fire burns too quickly.</i>	Too much draught	- Partially close the top air control.
	Excessive draught. ■	- Install a draught stabiliser to the connector pipe. Consult your Dealer.
	Poor quality wood.	- Do not continuously burn small wood, sticks, bundles, carpentry offcuts (plywood, pallets), etc.
<i>Smokes when lighting up.</i>	Flue duct is cold.	- Burn paper and kindling wood to increase heat.
	Room is in decompression (negative pressure)	- In houses equipped with mechanical ventilation, partly open a window until the fire is well established.
<i>Smokes while burning.</i>	Draught is insufficient. ■	- Consult a chimney specialist. - Check that the flue is not obstructed, sweep if necessary.
	Down draught. ■	- Install an anti-down draught cowl. Consult your Dealer.
	Room is in decompression. ■	- In houses equipped with Mechanical Ventilation, partly open a window until the fire is well established.
<i>Low heat output.</i>	Poor quality wood.	- Use hardwood that have a higher calorific value per cu metre (Yoke-elm, oak, ash, maple, birch, elm, beech, etc.)
	Poor mixing of the convection air	- Check the air flow system (air inlet, piping, air outlet). - Check that the next rooms are equipped with ventilation grids to help out the hot air circulation.

4. Spare parts

When ordering spare parts, specify the stove **type** and **serial number**, including the **colour** index (on the guarantee or identification plate), the **name of the part** and the **part number**.

Example : Wood stove "**Montfort MK2**", ref. 134 05 02 color **C**, top plate **352168 MK**

A = 134 05 02 **Y** ; **B** = 134 05 02 **L** ; **C** = 134 05 02 **B** ; **D** = 134 05 02 **E** ; **E** = 134 05 02 **P** ; **F** = 134 05 02 **C**

N°	Code	Désignation	Type	A	B	C	D	E	F	Qté
1	100939	Axle		A	B	C	D	E	F	03
2	105636	Firebrick		A	B	C	D	E	F	01
3	105637	Firebrick		A	B	C	D	E	F	02
4	134253	Bushing		A	B	C	D	E	F	01
5	142881	Gasket		A	B	C	D	E	F	04
6	142900	Gasket		A	B	C	D	E	F	02
7	142901	Gasket		A	B	C	D	E	F	01
8	181614	Ceramic rope	Ø 9,5	A	B	C	D	E	F	2,82
9	181632	Gasket	Ø 6	A	B	C	D	E	F	2,90
10	188900	Refractory glass		A	B	C	D	E	F	01
11	189104	Screw	6x22	A	B	C	D	E	F	02
12	202707	Regulator bracket		A	B	C	D	E	F	01
13	105638	Firebrick		A	B	C	D	E	F	01
14	209922	Protector		A	B	C	D	E	F	01
15	221200	Striking plate		A	B	C	D	E	F	02
16	222584	Flue baffle		A	B	C	D	E	F	01
17	222621	Flue baffle		A	B	C	D	E	F	01
18	222622	Suppl. flue baffle		A	B	C	D	E	F	01
19	224059	Ash-pan		A	B	C	D	E	F	01
20	237421	Reducing plate		A	B	C	D	E	F	01
21	259015	Fixing plate		A	B	C	D	E	F	04
22	262612	Heat shield		A	B	C	D	E	F	01
23	265607	Knob		A	B	C	D	E	F	01
24	270412	Air control flap		A	B	C	D	E	F	01
25	300118 EF	Leg		A						04
25	300118 77	Leg			B					04
25	300118 RJ	Leg				C				04
25	300118 RP	Leg					D			04
25	300118 RH	Leg						E		04
25	300118 MK	Leg							F	04
26	300493 EF	Base		A	B	C	D	E	F	01
27	301540 EF	Door lock		A						01
27	301540 77	Door lock			B					01
27	301540 RJ	Door lock				C				01
27	301540 RP	Door lock					D			01
27	301540 RH	Door lock						E		01
27	301540 MK	Door lock							F	01
28	303718 EF	Blanking plate		A						01
28	303718 77	Blanking plate			B					01
28	303718 RJ	Blanking plate				C				01
28	303718 RP	Blanking plate					D			01
28	303718 RH	Blanking plate						E		01
28	303718 MK	Blanking plate							F	01
30	303860 EF	Flue collar		A						01
30	303860 77	Flue collar			B					01
30	303860 RJ	Flue collar				C				01
30	303860 RP	Flue collar					D			01
30	303860 RH	Flue collar						E		01
30	303860 MK	Flue collar							F	01
31	306284 EF	Back wall		A	B	C	D	E	F	01
32	307445 EF	Fuel retainer		A	B	C	D	E	F	02
33	309236 EF	Grate		A	B	C	D	E	F	01
34	310741 EF	R. side panel		A						01
34	310741 77	R. side panel			B					01
34	310741 RJ	R. side panel				C				01
34	310741 RP	R. side panel					D			01
34	310741 RH	R. side panel						E		01
34	310741 MK	R. side panel							F	01
35	310836 EF	L. side panel		A						01
35	310836 77	L. side panel			B					01
35	310836 RJ	L. side panel				C				01
35	310836 RP	L. side panel					D			01
35	310836 RH	L. side panel						E		01
35	310836 MK	L. side panel							F	01

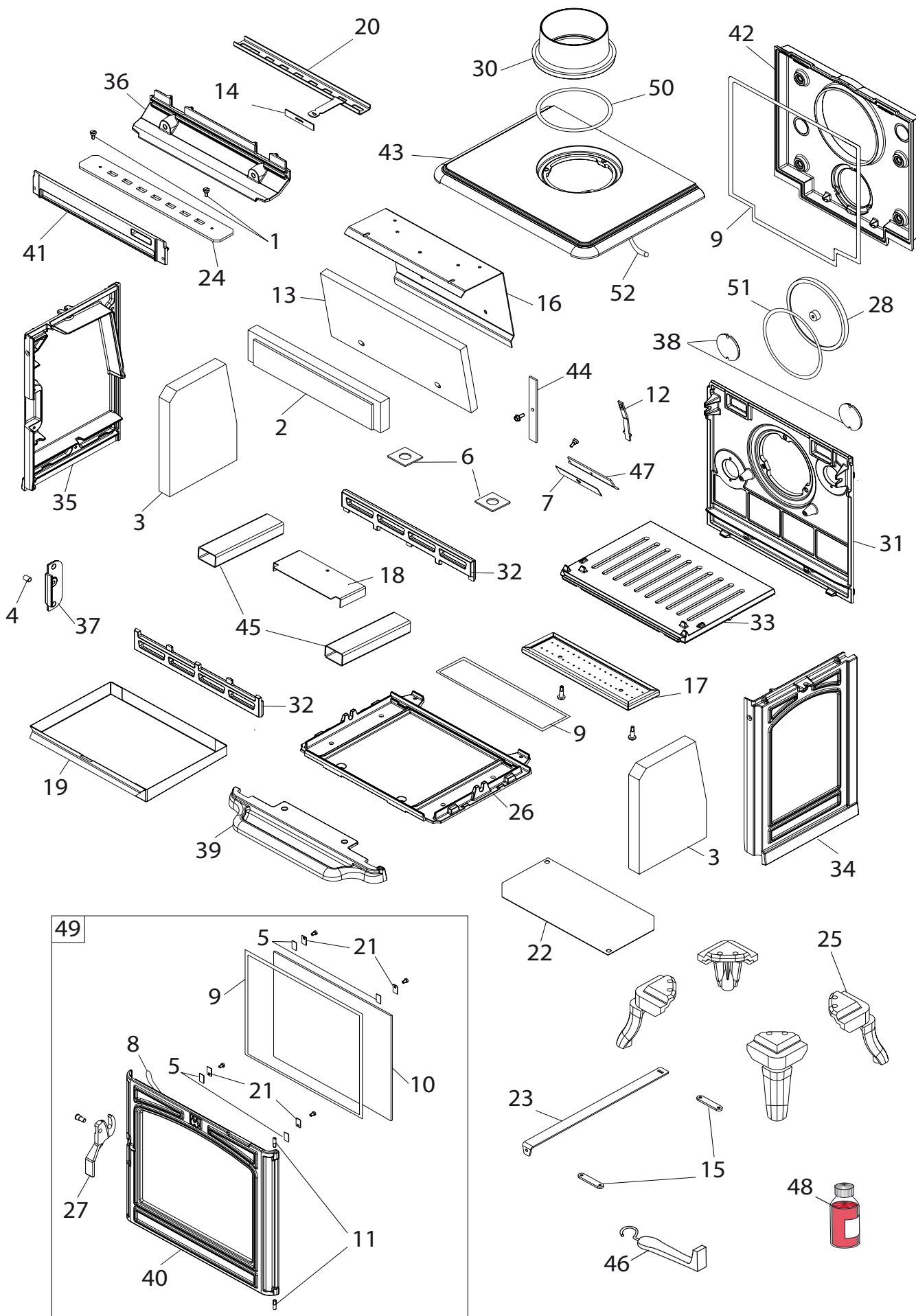


Figure 8 - Stove - exploded view

A = 134 05 02 Y ; B = 134 05 02 L ; C = 134 05 02 B ; D = 134 05 02 E ; E = 134 05 02 P ; F = 134 05 02 C

N°	Code	Désignation	Type	A	B	C	D	E	F	Qté
36	315617	Air duct		A	B	C	D	E	F	01
37	324503 EF	Sealing plate		A	B	C	D	E	F	01
38	325304 EF	Reducing plate		A	B	C	D	E	F	02
39	327906 EF	Ash pan guide		A						01
39	327906 77	Ash pan guide			B					01
39	327906 RJ	Ash pan guide				C				01
39	327906 RP	Ash pan guide					D			01
39	327906 RH	Ash pan guide						E		01
39	327906 MK	Ash pan guide							F	01
40	331134 EF	Main door		A						01
40	331134 77	Main door			B					01
40	331134 RJ	Main door				C				01
40	331134 RP	Main door					D			01
40	331134 RH	Main door						E		01
40	331134 MK	Main door							F	01
41	332006 EF	Main door		A	B	C	D	E	F	01
42	332402	Supplementary plate		A	B	C	D	E	F	01
43	352168 EF	Top plate		A						01
43	352168 77	Top plate			B					01
43	352168 RJ	Top plate				C				01
43	352168 RP	Top plate					D			01
43	352168 RH	Top plate						E		01
43	352168 MK	Top plate							F	01
44	406816	Clamp		A	B	C	D	E	F	01
45	616122	Circulation duct		A	B	C	D	E	F	02
46	808001 ED	Hand tool		A	B	C	D	E	F	01
47	870400	Sliding door		A	B	C	D	E	F	01
48	161025	Touch-up paint(L)			B					01
48	161047	Touch-up paint(B)				C				01
48	161061	Touch-up paint(E)					D			01
48	161060	Touch-up paint(P)						E		01
48	161059	Touch-up paint(C)							F	01
49	989023	Complete door		A						01
49	989024	Complete door			B					01
49	989025	Complete door				C				01
49	989026	Complete door					D			01
49	989027	Complete door						E		01
49	989028	Complete door							F	01
50	181602	Gasket	Ø 8	A	B	C	D	E	F	0,52 m
51	181633	Gasket	Ø 10	A	B	C	D	E	F	0,52 m
52	181634	Gasket	Ø 15	A	B	C	D	E	F	1,70 m



Guarantee certificate

Legal guarantee

The specifications, dimensions and information shown on our documents are provided for information purposes only and under no circumstances are binding upon the vendor.

With the aim of constantly improving our equipment, all modifications considered as necessary by our departments may be made without notice.

The provisions of the present guarantee certificate are not excluding or limiting the owner of the equipment's rights, concerning the legal guarantee regarding faults or hidden vices which applies in all circumstances, in the conditions detailed in articles 1641 and following of the civil code, and in the country in which the equipment was purchased.

Contractual guarantee

Our equipment is guaranteed against faults and hidden vices subject to the following conditions :

- 1) Installation and adjustment of the device by a professional installer.
- 2) Observance of the instructions provided in our technical documents and our installation/adjustment instructions.
- 3) The installation, use and maintenance of the device carried out in conformity with the applicable standards and legislation, and with the indications provided in the technical instructions accompanying the device.

This guarantee covers the replacement, in our factory, of parts recognised as being defective from the outset by our "Guarantee Inspection" Department. Carriage and labour is

at the user's cost. Moreover, if the repair or replacement of parts covered by the guarantee is found to be too costly vis-à-vis the price of the appliance, the decision to replace or repair the appliance will be taken by the vendor.

Our guarantee is for 2 (two) years for all appliances, with the exception of closed combustion fireplace and inserts for which our guarantee is 5 (five) years excluding the following :

- 1) Indicator lights, fuses, electrical elements and fans.
- 2) Parts subject to wear or in contact with high temperatures namely: soles and burner grills, bottom plates baffles, ash pans, paintwork and surface treatments for decorative parts. Also excluded from this guarantee are seals and windows.
- 3) Any damage which may result from the use of the appliance with a fuel other than that stipulated in our instructions.
- 4) Damage occurring to parts caused by elements outside the appliance (down draught, storm damage, damp, abnormal pressure or vacuum, heat shocks, etc.).
- 5) Damage to electrical parts caused by plugging in and using the appliance on a mains system, the voltage of which (measured at the entrance to the appliance) is 10% above or below the nominal voltage of 220 V.

Exclusion of liability

In the case of a product manufactured at the client's request, under no circumstances may we, as a subcontractor, be considered liable vis-a-vis the client or third parties for defects arising from the installation or a design fault with the item in question.

Name and address of the installer :
Telephone :
Name and address of the customer :
Date of installation :
Model of the appliance : <input type="checkbox"/> 134 05 02
Color : <input type="checkbox"/> Y <input type="checkbox"/> L <input type="checkbox"/> B <input type="checkbox"/> E <input type="checkbox"/> P <input type="checkbox"/> C
Serial number :
<p>• This certificate has to be completed and kept carefully. In case of claims, send a copy of this to :</p> <p>STAUB FONDERIE Administration : BP 73, 59660 MERVILLE, FRANCE.</p>