

---

# Monte Carlo

---

## Wood stove

NF EN 13240 : 2001 - EN 13240/A2 : 2005

**Model : 134 12 07**

Output : 11,5 kW



Description of the appliance

Installation instructions

Operating instructions

Spare parts

Warranty certificate

Document n°1291-8

22/03/2011



## Technical manual

to be saved

by the user

for future reference

**BOUTIQUES DU FEU**  
*Franco Belge*

Rue Orphée Variscotte

59660 MERVILLE

Téléphone : 03 28 43 43 22

Fax : 03 28 43 43 60

Subject to modifications.

FRANCO BELGE congratulates you on your choice.  
FRANCO BELGE, guarantees the quality of its appliances and is committed to meet its customers' needs.  
FRANCO BELGE, which can boast a 80-year experience in the industry of heating devices, uses state-of-the-art technologies to design and manufacture its whole range of products.  
This document contains instructions on how to install your appliance and make full use of its functions, both for your comfort and safety.

---

## CONTENTS

---

<b>Product information</b> .....	<b>p. 3</b>
Package.....	p. 3
General characteristics.....	p. 3
Description .....	p. 3
Principle of operation.....	p. 3
<b>Installation instructions</b> .....	<b>p. 4</b>
Warning to the user.....	p. 4
The room.....	p. 4
Chimney .....	p. 5
Assembly of flue spigot.....	p. 5
Chimney connector.....	p. 5
Pre-utilisation check .....	p. 6
Maintenance of the chimney.....	p. 6
Removing and replacing the flue baffle .....	p. 6
<b>Instructions for user</b> .....	<b>p. 7</b>
Fuel.....	p.7
Lighting .....	p. 8
Operating procedure.....	p. 8
Cleaning .....	p. 8
Maintenance of the chimney.....	p. 8
Maintenance of the stove body.....	p. 8
Recommendations .....	p.8
Trouble shooting .....	p. 9
<b>Spare parts</b> .....	<b>p. 11</b>

**This appliance is meant to burn wood safely**  
**WARNING**

**Incorrectly installed, this appliance can be dangerous and possibly cause serious accidents.**  
**We recommend that you engage the services of a professional engineer for its installation and the regular maintenance requirements**

## 1. Product information

### 1.1. Package

- 1 package : Stove complete.

### 1.1. Optional equipment

- Kit air intake

### 1.3. General characteristics

<b>Reference</b> .....	<b>134 12 07</b>
Nominal output .....	kW 11,5
Chimney draught required.....	Pa 12
Grate dimensions	
- width .....	mm 735
- depth .....	mm 608
- height .....	mm 804
Log dimensions	
- Length maxi .....	cm 55
Ash pan capacity .....	litres 8,9
Net weight.....	kg 180
heated Volume.....	m3 460
Efficiency .....	% 79
Co (13% O2) .....	% 0,28
Flue gas temperature .....	°C 320

### 1.4. Description

Stove, in conformity **NF EN 13240:2001 - 13240/A2:2005**.

- Intermittent-burning heating appliance.
- Detachable flue spigot for rear or top chimney connection.
- Front loading door fitted with large refractory glass panel.
- Loading door with a side opening (right of the appliance)
- Adjustable air controls for controlling the burning rate.
- Large ash-pan.
- Air wash system
- "Easy start" system
- Outside air inlet connexion diameter 100mm. If the outside air inlet is connected to the appliance, it is not necessary to foreseen additional air inlets in the room, the Monte Carlo becoming fully "airtight".
- Long lasting burning cycle, when the appliance is loaded with 8,3 kg of dry wood (air inlet closed) with a 6 Pa, draught, it runs for 8 h 30.

Note : the performances indicated result from tests carried out in accordance with standard NF EN 13240:2001 - 13240/A2:2005, with logs 33 cm length, loading of 2,78 kg and draught of 12 Pa.

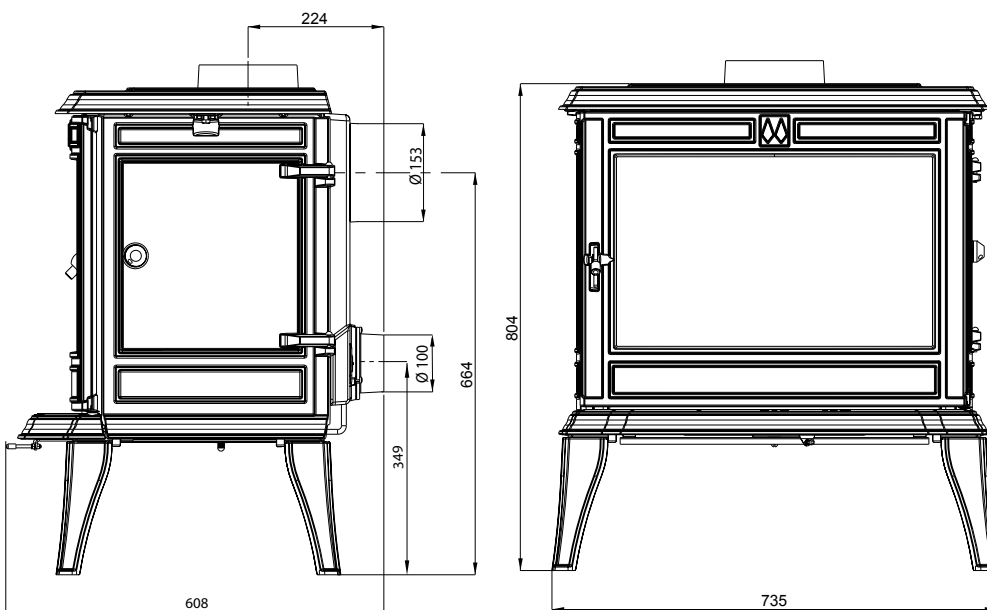


Figure 1 - Dimensions in mm

### 1.5. Principle of operation

The "Monte Carlo" is designed for operation with the door closed. Heat is mainly diffused by radiation, through the window and body of the appliance.

Combustion is carried out in a hot hearth with the primary air injected through the baffle and the grate.

## 2. Installation instructions

### 2.1 Warning to the user

**All the local and national regulations, and in particular those relating to national and European standards, must be observed when installing the appliance.**

**An incorrectly installed heating appliance can cause serious accidents** (chimney fires, burning of plastic insulation materials, in partition walls, etc.).

**The insulation of both the appliance and the exhaust gas pipe has to be reinforced** and done according to the Standards and the Building Regulations for safety reasons.

Failure to respect the mounting instructions leads to engage the responsibility of the one doing the installation.

The manufacturer's responsibility shall be limited to the supply of the equipment.

### 2.2. The room

**Ventilation** : For satisfactory appliance operation with a natural draught, check that sufficient air for combustion is available in the room. In houses equipped with one VMC (controlled mechanical ventilation), this one aspires and renews the ambient air ; In this case, the residence is under slight low pressure and a non-sealable external air intake must be installed in addition to the chimney itself, at least 50 cm<sup>2</sup> in section. If the outside air inlet is connected to the appliance, it is not necessary to foresee additional air inlets in the room, the Monte Carlo becoming fully "airtight"

**Position of the unit** : For new installations, select a central position within the house, to provide a good heat distribution around the building.

The heat distribution towards the other rooms will be made through the communicating doors. These rooms must be in negative pressure or must include

ventilation gratings.

**Floor and walls** : Make sure there are not combustible or covered with combustible material.

Otherwise it must necessary to install a non-combustible protection.

There must be a clearance of at least 150 mm at each side of the appliance and at the back of the appliance from a **non-combustible wall**.

This distance must be extended to a minimum clearance of 400 mm from any combustible materials. This measurement may be reduced to a minimum gap of 50 mm when the non-combustible wall is at least 200 mm thick.

There should ideally be a minimum gap of 300 mm at the right hand side of the stove, this will ensure the best possible access to the loading door.

When using a single wall flue pipe, there must be a clearance (A) of at least three times its diameter (B) from any combustible materials.

If the appliance has to be located in an opening, this distance must be extended to a minimum clearance (A) of 450 mm from the pipe or the stove body to any combustible materials.

**Hearth** : The appliance must stand on a fireproof hearth.

It is possible to provide a hearth made of non combustible board/sheet material or tiles at least 12 mm thick. Constructional hearths should be constructed of solid non combustible material at least 125 mm thick (including the thickness of any non combustible floor under the hearth).

The hearth must protrude at least 400 mm in front of the stove and 150 mm each side.

If the hearth is constructed on timber, there must be a clearance of at least 250 mm from the timber to the top surface of the hearth.

When using a single wall flue pipe, there must be a

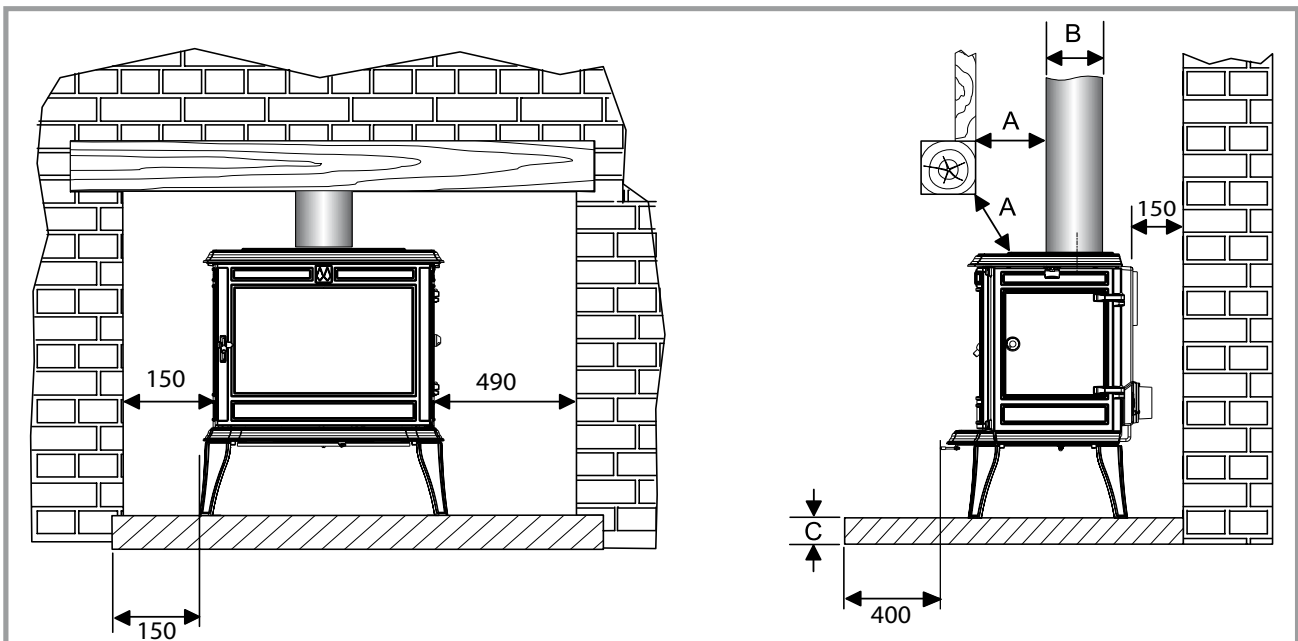


Figure 2 - Clearances

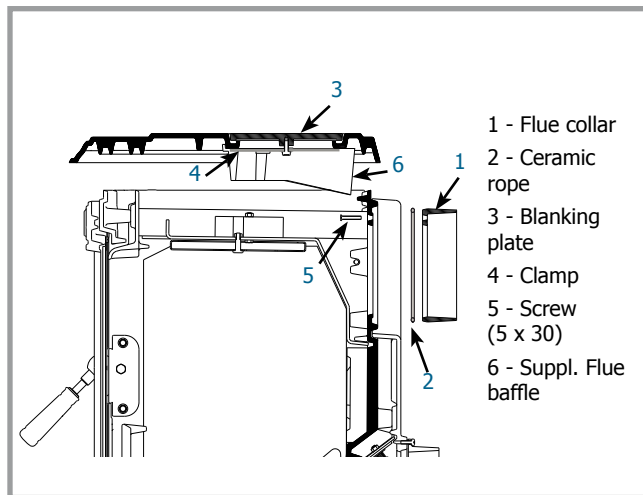


Figure 3 - Rear flue outlet

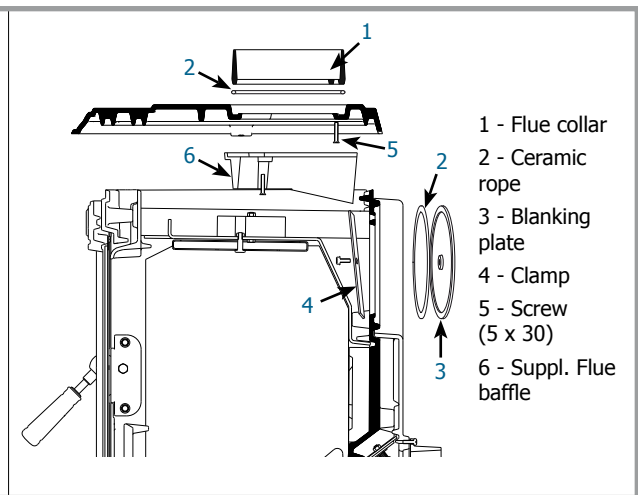


Figure 4 - Smoke exit on the top

clearance (A) of at least 450 mm from any combustible materials (timber mantel, girder).

See section J of the Building regulations.

## 2.3. Chimney

**Existing flue** : The chimney must comply with Current Building Regulations. If in doubt, consult your Dealer or local Building Inspector.

- The flue must be in good condition and must provide sufficient draught (refer to technical details p. 3).
- The flue must be suitable for the installation of solid fuel burning appliances and comply with Current Building Regulations.
- The flue must be clean. It should be swept to remove soot and dislodge tar deposits.
- The flue must be well insulated. If the flue inner wall surfaces are cold, a good thermal draw is impossible causing condensation problems (tar formation etc) to occur.
- The flue must not be shared with other appliances.
- The chimney must be at least 4.5 m (15 ft high).
- In case of a flat roof or when the roof gradient is lower than 15°, the stack must be 1,2 m (4 feet) high at least.
- If the chimney has any down draught tendency, due to its position in relation to nearby obstacles, then an anti-down draught cowl must be installed on the chimney or the chimney height must be increased.
- If the decompression in the chimney is excessive, a draught stabiliser must be installed.

**Chimney to be built / new flue** : The chimney must comply with Current Building Regulations. If in doubt, consult your Dealer or local Building Inspector.

- The appliance must not support the weight of the flue.
- Consult a chimney specialist for advice on suitable flue systems for solid fuel appliances.
- It must be distant from any combustible material (walls, cross members)
- It must permit an easy sweeping.

## 2.4. Assembly of flue spigot

The stove is supplied with a connection flue spigot with an inner diameter of 153 mm.

### 2.4.1. Smoke exit at rear (figure 3)

- Remove the flue baffle (§ 2.8).
- Fit on the top: the blanking plate **3**, the rope **2**, the clamp with the provided screws.
- Fit on the rear appliance : the flue collar **1**, the rope **2** with the provided screws.
- Replace the flue baffle (§ 2.8).

### 2.4.2. Smoke exit on the top (figure 4)

- Remove the flue baffle (§ 2.8).
- Fit on the rear appliance : the blanking plate **3**, the rope **2**, the clamp **4** with the provided screws.
- Fit on the top : the collar collar **1**, the rope **2** with the provided screws.
- Replace the flue baffle § 2.8).

## 2.5. Chimney connector

The connection to flue must be carried out according to local building regulations.

- The stove must be installed as close as possible to the chimney.
- The connector pipe must be approved for installation with combustion products (either 24 ga. black painted or blued steel or 316 grade 20 ga. Stainless steel or 1 mm vitreous enamelled steel).
- Pipe diameter must not be less than the appliance spigot diameter. Otherwise the reducing must be 1 diameter lower than the flue spigot and be situated as distant as possible from the flue connection of the appliance.
- The connection can be either vertical or horizontal. For horizontal connections, avoid right angle bends.
- The join between the connection pipe and the

stovepipe, and the flue, must be leak tight.

- For the premises equipped with a mechanical controlled ventilation, the airtightness has to prevent the exhauster drawing out the smokes from the exhaust gas pipe.
- The connection pipe and any draught stabiliser must have access for cleaning.

### 2.6. Pre-utilisation check

Check the condition of the filler seals, that the door closes correctly, that the window is not damaged, that the smoke passages are not obstructed by pieces of packaging or removable parts.

Make sure that all removable parts are correctly installed.

**Note :** all gaskets ceramic ropes, seals, are consumable parts and must be changed on a regular basis by the user.

### 2.7. Maintenance of the Chimney

**Very important :** To avoid accidents (chimney fire, etc.), regular maintenance should be carried out. If the stove is regularly used, the chimney should

be swept several times per year, together with the stovepipe connection section.

**If the chimney catches fire, you must cut off the flue draught, close the doors and windows, hatches and keys and call the Fire Brigade without delay.**

**DO NOT OPEN THE DOOR OF THE APPLIANCE (OR AIR INLET) UNDER ANY CIRCUMSTANCES.**

Chimney condition **should be checked at least once per year by a professional engineer.**

### 2.8. Removing and replacing the flue baffle

(figure 5 et 6)

- Open the front door
- Remove the fuel retainer
- Remove the 2 screws (#1)
- Remove the 2 screws (#2)
- Remove the flue baffle (#3)

Removing and replacing the flue baffle, if needed, if must be necessary, replace 2 gasket (see p. 12 n°15) and replace the flue baffle in the reverse order.

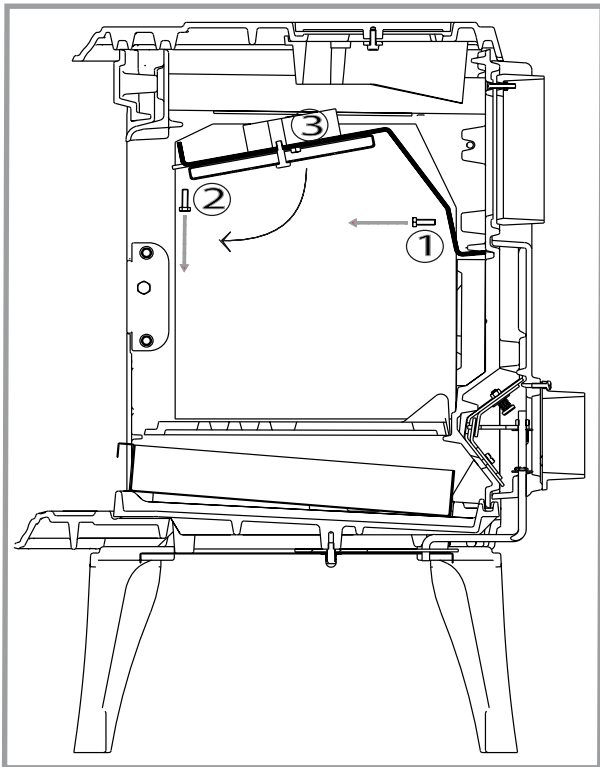


Figure 5 - Removing the flue baffle

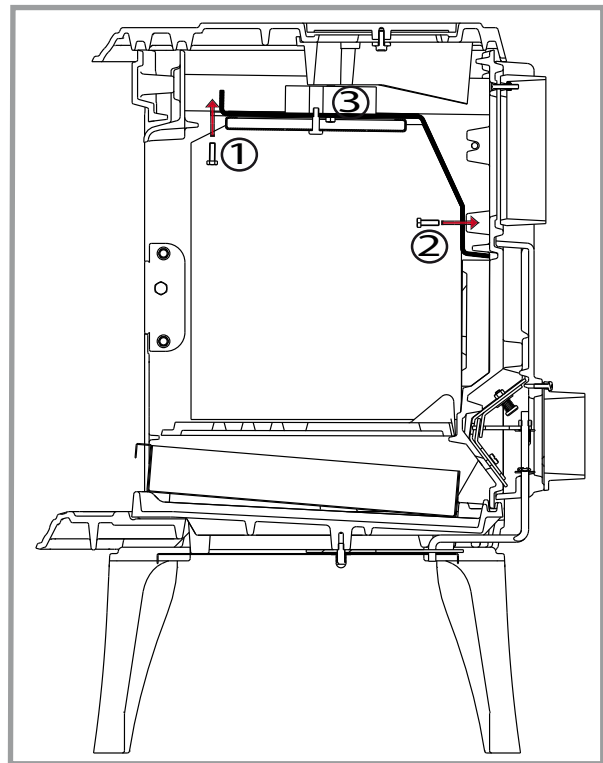


Figure 6 - Replacing the parts

### 3. Instructions for user

The manufacturer will not be responsible for damages on parts of the appliance due to the use of prohibited fuel or due to an alteration of the appliance or its installation. **Only use replacement parts supplied by the manufacturer.**

**All the local and national regulations, and in particular those relating to national and European standards, must be observed when using the appliance.**

Don't run the stove in mild weather with coal ! Under certain circumstances (e.g. fog and repeated thaw) the chimney will not draw sufficiently well and thus be at the origin of asphyxia.

#### 3.1. Fuel

**This appliance is not an incinerator.**

- Use hard wood logs, which have been cut for at least two years and stored, under a ventilated shelter (Humidity < 20 %)
- Hardwood has a higher calorific value per cu metre.
- Large logs must be split and cut to an useful length, before being stored in a sheltered and ventilated place.

#### • Recommended fuel : Wood

Use hard wood logs, which have been cut for at least two years and stored, under shelter. Hardwood has a higher calorific value per cu metre (oak, ash, maple, birch, elm, beech, etc.). Large logs must be split and cut to a usable length, before being stored in a sheltered and ventilated place.

#### • Not recommended as fuel :

- "Green wood". Green or damp wood reduces stove efficiency and soils the glass, the internal walls and the flue (soot, tar, etc.).
- "Used timbers". Burning treated wood (railway sleepers, telegraph poles, offcuts of plywood or chip board, pallets, etc.) quickly clogs the flue ways (soot, tar, etc.), pollutes the environment (pollution and smell, etc.) and cause the fire to burn too quickly and overheat.
- "Green wood" and "recovered wood" can eventually cause a chimney fire.

• **Prohibited fuel :** Homefire and any form of bituminous coal or petroleum based coke.

**Position A :** eases the ignition and the picking up of the combustion. for an optimal use, do not leave the handle in this position more than 10 minutes.

**Position B :** low setting (the handle is in the middle).

**Position C :** high setting.

In normal use, the air inlet handle should always been located between position B and C.

**D :** Opening/closing the main door

**E :** Opening/closing the main door

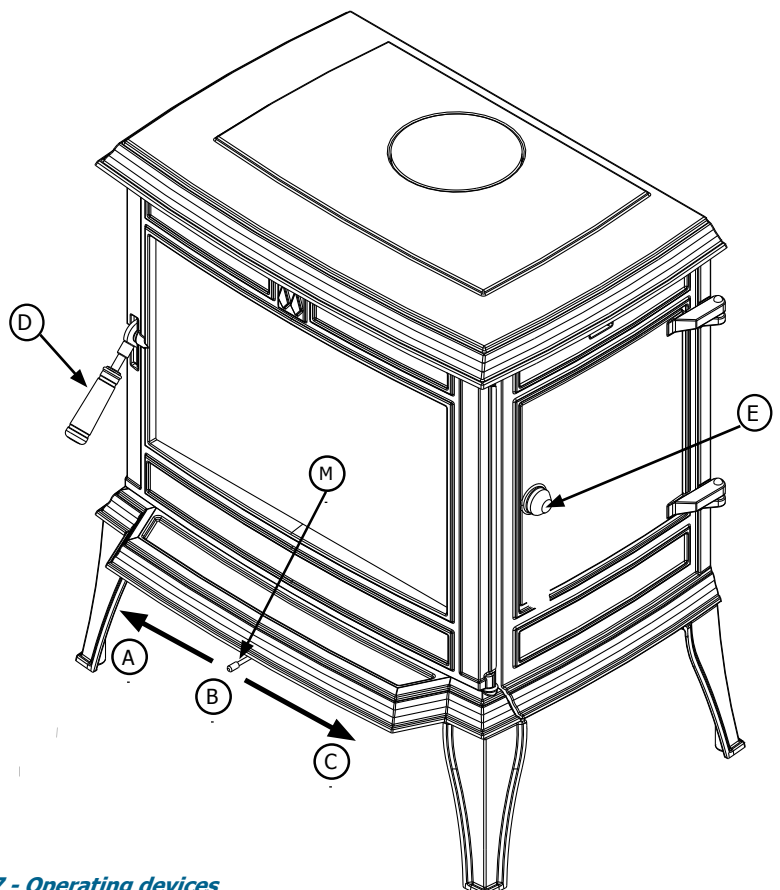


Figure 7 - Operating devices

### 3.2. Lighting (Figure 7)

- Slide the air control (position C or position A for a easier lighting ).
- Open the front door and lay firelighters or rolled up newspapers on the grate with a reasonable quantity, if necessary, of dry kindling wood. Place 2 or 3 small logs on top.
- Light the newspaper or firelighters using a long taper and close the door.

**Note :When the fire is lit for the first time, the stove may give off fumes from the new paint. This is normal but ensure the room is well ventilated during the first few hours of operation. The burning rate can now be adjusted by moving the air control to the right. Experience will show you which settings are best for your situation.**

### 3.3. Operating procedure

**The appliance must function with the suitably closed doors (rep. D et E).**

**The burning rate** (position M) can be adjusted by the air control flap. Experience will show you which settings are best for your situation.

The airwash system works with the airslide. When the airslide is full open the system works at its strongest efficiency (position C).

The more closed down the airslide is, the less effective the airwash will be (when shut down completely, the airwash system can not function).

#### **Loading the fuel :**

It is advisable to wait for the fire to be reduced to hot embers before re-loading. The door should also be opened slowly when re-loading.

The minimum reloading interval for nominal heat output is 45 mn.

- The logs must be placed on the glowing embers.
- For a briskly burning fire, there should always be at east two logs in the fire. The fire will burn better if there are several logs.
- For a slower burning fire (for example, at night), select larger logs.
- Close the loading door (E).
- Open the lighting flap for a while.

### 3.4. Cleaning

It is essential to keep the grate free from a heavy build up of ashes.

**REMEMBER TO BURN SOLID FUEL CORRECTLY, AIR SHOULD BE ALLOWED TO FLOW FROM THE ASH PIT AREA THROUGH THE GRATE AND THROUGH THE FUEL. IF THE GRATE OR ASH PAN ARE CONGESTED, THE PERFORMACE WILL BE EFFECTED.**

If burning solid fuel, always empty the ash pan at least once a day or whenever it is full of ashes. Never allow

the ashpan to overfill allowing ash to be in contact with the underside of the grate. If this condition is allowed, the grate will wear out pre-maturely.

### 3.5. Maintenance of the Chimney

**Very important :** In order to avoid any incident carried out regularly.

**If the appliance is regularly used, the chimney should be swept several times per year, together with the stovepipe connection section.**

**If the chimney catches fire, you must cut off the flue draught, close the doors and windows, hatches and keys and call the Fire Brigade without delay.**

**DO NOT OPEN THE DOOR OF THE APPLIANCE (OR AIR INLET) UNDER ANY CIRCUMSTANCES.**

Chimney condition should be checked at least once per year by a professional engineer.

### 3.6. Maintenance of the stove body

- The appliance must be cleaned regularly , together with the connecting pipe and the flue pipe.
- Remove all deposits from the combustion chamber and clean the grate area.
- The vitro ceramic glass can only be cleaned using a soft cloth and stove glass cleaner, available from your Franco Belge Dealer. **DO NOT USE ABRASIVES**
- The vitro ceramic glass resists a temperature of 750°C.

If the glass should be broken, it is recommended that only an original factory replacement should be fitted.

- Check that there are no obstructions before relighting after a long period of disuse.
- The appliance must not be used with a flue serving several appliances.
- To maintain the grates ventilation free of any obstruction,

For enamelled finishes, the stove body can be cleaned using a soft cloth either dry, or slightly damp with a very mild detergent.

**NEVER CLEAN ENAMEL SURFACES WHILST THE STOVE IS HOT.**

The cast iron body panels of non-enamelled stoves can be cleaned with a proprietary stove cleaner or re-sprayed / touched up using a stove paint. These products are available from your Franco Belge Dealer.

### 3.7. Recommendations

This room heater is a high heat producing appliance and may cause severe burns if touched on the glass front door, or on top directly over the burner. The stove may still be HOT even when fire has burnt out.

**Keep children away**



### 3.8. Trouble Shooting



■ : This sign means that you should ask for a qualified engineer to do the work.

<i>Problem</i>	<b>Probable causes</b>	<b>- ACTION</b>
<i>Fire difficult to start Fire goes out</i>	<b>Wood green, too damp or poor quality.</b>	- Use the recommended fuel.
	<b>Logs are too big.</b>	- To light the fire, use small, very dry twigs. To maintain the fire, use split logs.
	<b>Air starvation.</b>	- Open lower air control and top air control lever.
	<b>Insufficient draught.</b> ■	- Check that the flue is not obstructed, sweep it if necessary - Seek advice from a chimney specialist.
<i>Fire burns too quickly.</i>	<b>Too much draught</b>	- Ensure that the lower air control is closed - Partially close the top air control lever.
	<b>Excessive draw.</b> ■	- Install a draught stabiliser. Consult your Dealer.
	<b>Poor quality wood.</b>	- Do not continuously burn small wood, sticks, bundles, carpentry offcuts (plywood, pallets), etc.
<i>Smokes when lighting up.</i>	<b>Flue duct is cold.</b>	- Burn paper and kindling wood to increase heat.
	<b>Room is in decompression.</b>	- In houses equipped with mechanical ventilation, partly open a window until the fire is well established.
<i>Smokes while burning.</i>	<b>Draught is insufficient.</b> ■	- Consult a chimney specialist. - Check that the flue is not obstructed, sweep if necessary.
	<b>Down draught.</b> ■	- Install an anti-down draught cowl. Consult your Dealer.
	<b>Room is in decompression.</b> ■	- In houses equipped with Mechanical Ventilation, an outside air intake must be installed for the chimney.
<i>Low heat output.</i>	<b>Incorrect Fuels.</b>	- Use the recommended fuel.



## 4.Spare parts

When ordering spare parts, specify the stove **type** and **serial number**, including the **colour** index (on the guarantee or identification plate), the **name of the part** and the **part number**.

Example : Wood stove "**Monte Carlo**", ref. 134 12 07, color **Y**, top plate **352177 EF**

**A** = 134 12 07 **Y** ; **B** = 134 12 07 **L** ; **C** = 134 12 07 **B** ; **D** = 134 12 07 **E** ; **E** = 134 12 07 **P** ; **F** = 1341207 **C**

N°	Code	Désignation	Type	A	B	C	D	E	F	Qté
1	100939	Axle		A	B	C	D	E	F	02
2	101067	Cam pin		A	B	C	D	E	F	01
3	101073	Sliding door axle		A	B	C	D	E	F	02
4	101074	Axle		A	B	C	D	E	F	01
5	105632	Firebrick		A	B	C	D	E	F	01
6	105634	Firebrick		A	B	C	D	E	F	01
7	105635	Firebrick		A	B	C	D	E	F	01
8	110403	Hinge pin	6x35	A	B	C	D	E	F	02
9	105006	Gasket	Ø 15	A	B	C	D	E	F	2,53 m
10	101811	Ring		A	B	C	D	E	F	01
11	616121	Circulation duct		A	B	C	D	E	F	02
12	134253	Bushing		A	B	C	D	E	F	02
13	142881	Gasket		A	B	C	D	E	F	02
14	181630	Gasket		A	B	C	D	E	F	1,5 m
15	142898	Gasket		A	B	C	D	E	F	02
16	158637	Handle		A	B	C	D	E	F	01
17	161027	Touch-up paint	(J)		B					01
17	161047	Touch-up paint	(B)			C				01
17	161061	Touch-up paint	(E)				D			01
17	161025	Touch-up paint	(L)					E		01
17	161059	Touch-up paint	(C)						F	01
18	166003	Spring	11x15	A	B	C	D	E	F	03
19	175013	Suppl. flue baffle		A	B	C	D	E	F	0
20	179628	Regulator shaft		A	B	C	D	E	F	01
21a	181604	Ceramic rope	10x4	A	B	C	D	E	F	0,5 m
21b	181604	Ceramic rope	10x4	A	B	C	D	E	F	0,5 m
22a	181632	Gasket	Ø 6	A	B	C	D	E	F	1,75 m
22b	181632	Gasket	Ø 6	A	B	C	D	E	F	0,30 m
23	181633	Gasket	Ø 10	A	B	C	D	E	F	1,05 m
24	188890	Refractory glass	540x333	A	B	C	D	E	F	01
25	189103	Screw	27x8x6	A	B	C	D	E	F	04
26	189104	Screw	6x22	A	B	C	D	E	F	02
27	189141	Screw		A	B	C	D	E	F	01
28	189142	Screw		A	B	C	D	E	F	01
29	222583	Flue baffle		A	B	C	D	E	F	01
30	222620	Suppl. flue baffle		A	B	C	D	E	F	00
31	224058	Ash-pan		A	B	C	D	E	F	01
32	261010	Heat shield		A	B	C	D	E	F	01
33	228629	Square		A	B	C	D	E	F	01
34	231303	Square		A	B	C	D	E	F	01
35	237429	Reducing plate		A	B	C	D	E	F	02
36	259015	Fixing plate		A	B	C	D	E	F	04
37	262615	Heat shield		A	B	C	D	E	F	01
38	265605	60 Knob		A	B	C	D	E	F	01
39	270416	Air control flap		A	B	C	D	E	F	01
40	277609	Knob		A	B	C	D	E	F	01
41	406816	Clamp		A	B	C	D	E	F	01
42	900992	Door lock		A	B	C	D	E	F	01
43	300140	MK Leg							F	04
43	300140	RH Leg						E		04
43	300140	RJ Leg				C				04
43	300140	RP Leg					D			04
43	300140	AB Leg		A						04
43	300140	77 Leg			B					04
44	300433	AB Base		A	B	C	D	E	F	01
45	303516	MK Loading door							F	01
45	303516	RH Loading door						E		01
45	303516	RJ Loading door				C				01
45	303516	RP Loading door					D			01
45	303516	AB Loading door		A						01
45	303516	77 Loading door			B					01

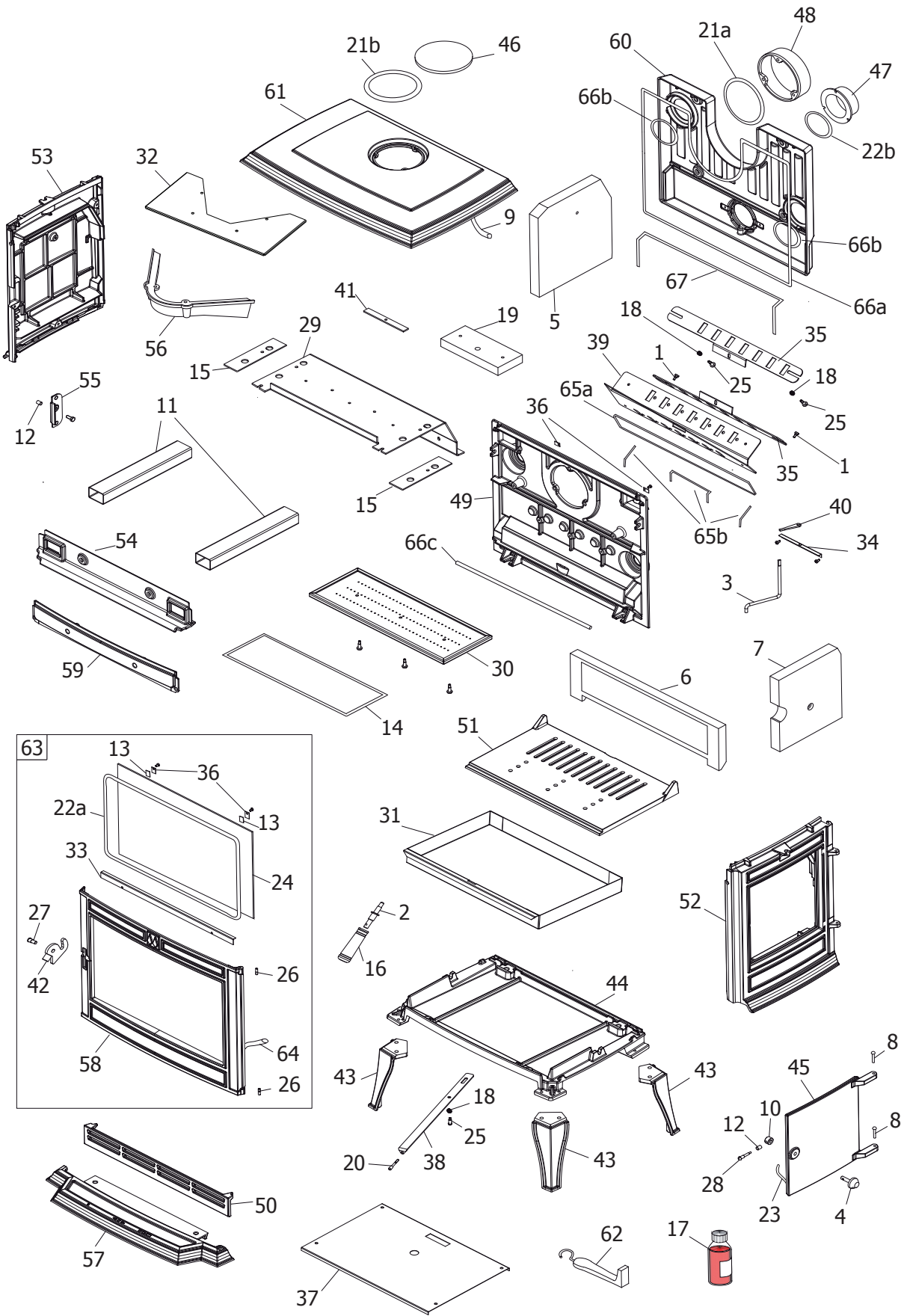


Figure 8 - Stove - exploded view

**A = 134 12 07 Y ; B = 134 12 07 L ; C = 134 12 07 B ; D = 134 12 07 E ; E = 134 12 07 P ; F = 1341207 C**

N°	Code	Désignation	Type	A	B	C	D	E	F	Qté
46	303718 MK	Blanking plate							F	01
46	303718 RH	Blanking plate						E		01
46	303718 RJ	Blanking plate				C				01
46	303718 RP	Blanking plate					D			01
46	303718 AB	Blanking plate		A						01
46	303718 77	Blanking plate			B					01
47	303826 MK	Flue collar	Ø 153 int.						F	01
47	303826 RH	Flue collar	Ø 153 int.					E		01
47	303826 RJ	Flue collar	Ø 153 int.			C				01
47	303826 RP	Flue collar	Ø 153 int.				D			01
47	303826 AB	Flue collar	Ø 153 int.	A						01
47	303826 77	Flue collar	Ø 153 int.		B					01
48	303859 AB	Flue collar		A	B	C	C	E	F	01
49	306270 AB	Back wall		A	B	C	D	E	F	01
50	307441 AB	Fuel retainer		A	B	C	D	E	F	01
51	309235 AB	Grate		A	B	C	D	E	F	01
52	310740 MK	R. side panel							F	01
52	310740 RH	R. side panel						E		01
52	310740 RJ	R. side panel				C				01
52	310740 RP	R. side panel					D			01
52	310740 AB	R. side panel		A						01
52	310740 77	R. side panel			B					01
53	310835 MK	L. side panel							F	01
53	310835 RH	L. side panel						E		01
53	310835 RJ	L. side panel				C				01
53	310835 RP	L. side panel					D			01
53	310835 AB	L. side panel		A						01
53	310835 77	L. side panel			B					01
54	315616 AB	Air duct		A	B	C	D	E	F	01
55	324503 AB	Sealing plate		A	B	C	D	E	F	01
56	326601 AB	Suppl. flue baffle		A	B	C	D	E	F	01
57	327911 MK	Ash pan guide							F	01
57	327911 RH	Ash pan guide						E		01
57	327911 RJ	Ash pan guide				C				01
57	327911 RP	Ash pan guide					D			01
57	327911 AB	Ash pan guide		A						01
57	327911 77	Ash pan guide			B					01
58	331133 MK	Main door							F	01
58	331133 RH	Main door						E		01
58	331133 RJ	Main door				C				01
58	331133 RP	Main door					D			01
58	331133 AB	Main door		A						01
58	331133 77	Main door			B					01
59	332005 AB	Air duct		A	B	C	D	E	F	01
60	332401 AB	Supplementary plate		A	B	C	D	E	F	01
61	352177 MK	Top plate							F	01
61	352177 RH	Top plate						E		01
61	352177 RJ	Top plate				C				01
61	352177 RP	Top plate					D			01
61	352177 AB	Top plate		A						01
61	352177 77	Top plate			B					01
62	808001 ED	Hand tool		A	B	C	D	E	F	01
63	989017	Complete door		A						01
63	989018	Complete door			B					01
63	989019	Complete door				C				01
63	989020	Complete door					D			01
63	989021	Complete door						E		01
63	989022	Complete door							F	01
64	181614	Rope	Ø 9,5	A	B	C	D	E	F	2,05 m
65a	181632	Rope	Ø 6	A	B	C	D	E	F	1,17 m
65b	181632	Rope	Ø 6	A	B	C	D	E	F	0,37 m
66a	181625	Gasket	Ø 7	A	B	C	D	E	F	2,37 m
66b	181625	Gasket	Ø 7	A	B	C	D	E	F	0,6 m
66c	181625	Gasket	Ø 7	A	B	C	D	E	F	0,5 m
67	181631	Gasket	Ø 10	A	B	C	D	E	F	0,85 m



# FRANCO BELGE



## Guarantee certificate

### Legal guarantee

The specifications, dimensions and information shown on our documents are provided for information purposes only and under no circumstances are binding upon the vendor.

With the aim of constantly improving our equipment, all modifications considered as necessary by our departments may be made without notice.

The provisions of the present guarantee certificate are not excluding or limiting the owner of the equipment's rights, concerning the legal guarantee regarding faults or hidden vices which applies in all circumstances, in the conditions detailed in articles 1641 and following of the civil code, and in the country in which the equipment was purchased.

### Contractual guarantee

Our equipment is guaranteed against faults and hidden vices subject to the following conditions :

- 1) Installation and adjustment of the device by a professional installer.
- 2) Observance of the instructions provided in our technical documents and our installation/adjustment instructions.
- 3) The installation, use and maintenance of the device carried out in conformity with the applicable standards and legislation, and with the indications provided in the technical instructions accompanying the device.

This guarantee covers the replacement, in our factory, of parts recognised as being defective from the outset by our "Guarantee Inspection" Department. Carriage and labour is

at the user's cost. Moreover, if the repair or replacement of parts covered by the guarantee is found to be too costly vis-à-vis the price of the appliance, the decision to replace or repair the appliance will be taken by the vendor.

Our guarantee is for 2 (two) years for all appliances, with the exception of closed combustion fireplace and inserts for which our guarantee is 5 (five) years excluding the following :

- 1) Indicator lights, fuses, electrical elements and fans.
- 2) Parts subject to wear or in contact with high temperatures namely: soles and burner grills, bottom plates baffles, ash pans, paintwork and surface treatments for decorative parts. Also excluded from this guarantee are seals and windows.
- 3) Any damage which may result from the use of the appliance with a fuel other than that stipulated in our instructions.
- 4) Damage occurring to parts caused by elements outside the appliance (down draught, storm damage, damp, abnormal pressure or vacuum, heat shocks, etc.).
- 5) Damage to electrical parts caused by plugging in and using the appliance on a mains system, the voltage of which (measured at the entrance to the appliance) is 10% above or below the nominal voltage of 220 V.

### Exclusion of liability

*In the case of a product manufactured at the client's request, under no circumstances may we, as a subcontractor, be considered liable vis-a-vis the client or third parties for defects arising from the installation or a design fault with the item in question.*

Name and address of the installer : .....
.....
Telephone : .....
Name and address of the customer : .....
.....
Date of installation : .....
Model of the appliance : <input type="checkbox"/> <b>134 12 07</b>
Color : <input type="checkbox"/> <b>Y</b> <input type="checkbox"/> <b>L</b> <input type="checkbox"/> <b>B</b> <input type="checkbox"/> <b>E</b> <input type="checkbox"/> <b>P</b> <input type="checkbox"/> <b>C</b>
Serial number : .....
<ul style="list-style-type: none"> <li>• This certificate has to be completed and kept carefully.</li> </ul> <p>In case of claims, send a copy of this to :</p> <p><b>FRANCO BELGE</b> <b>BP 73, 59660 MERVILLE, FRANCE.</b></p>