

BTL 3

From 16,6 to 42,7 kW

Conform to:
E.M.C. Directive 89/336/CEE
L.V. Directive 73/23/CEE
Reference standard: EN267



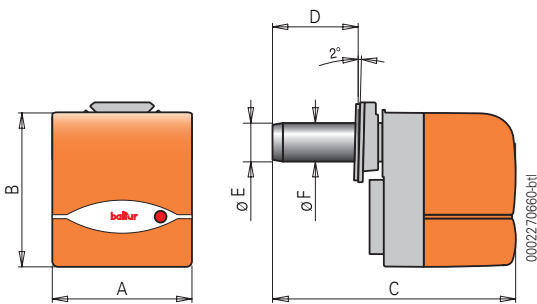
TECHNICAL AND FUNCTIONAL CHARACTERISTICS

- Single stage operation (on/off).
- High pressure mechanical atomisation of fuel using nozzle.
- Ability to obtain optimal combustion values by regulating combustion air and blast-pipe.
- Maintenance facilitated by the fact that the atomisation unit can be removed without having to remove the burner from the boiler.
- Manual air flow adjustment.
- When using biodiesel light oil (fuel of vegetable origin), the burner must be built with specific components: flexible hoses, line filter and pump.
- Eq uipped with one 7-pole connector, one flange and one insulating seal for boiler fastening, 2 flexible hoses, one line filter and one nozzle.
- On request: longer blast tube, operation on biodiesel.

CONSTRUCTION CHARACTERISTICS

The burner consists of:

- Combustion air inlet with device to adjust the air flow; automatically closing air gate.
- Gear pump with pressure regulator and fuel stop-cock valve.
- Variable output fuel preheater (H version).
- Automatic control and command equipment for the burner compliant with European standard EN230.
- Flame detection by photoresistance.
- 7-pole outlet for burner electrical and thermostat supply.
- Electrical protection rating IP40.
- Sound-proof plastic protective cover.



Model	A mm	B mm	C mm	D mm	E mm	F mm
BTL 3 - 3 H	250	218	330	90	80	80

Thermal output kW	Model	Part no.	Max visc. °E at 20°C	Electrical supply	Motor kW	Size of packaging L x P x H mm	Weight kg	Notes
Frequency 50 Hz								
17,8 ÷ 42,7	BTL 3	35450010	1,5	1N AC 50Hz 230V	0,09	400 x 300 x 280	9	1)
16,6 ÷ 42,7	BTL 3 H	35450011	1,5	1N AC 50Hz 230V	0,09	400 x 300 x 280	9	1) 2)
Frequency 60 Hz								
17,8 ÷ 42,7	BTL 3	35450010	1,5	1N AC 60Hz 230V	0,09	400 x 300 x 280	9	1)
16,6 ÷ 42,7	BTL 3 H	35450011	1,5	1N AC 60Hz 230V	0,09	400 x 300 x 280	9	1) 2)

Optionals

Description

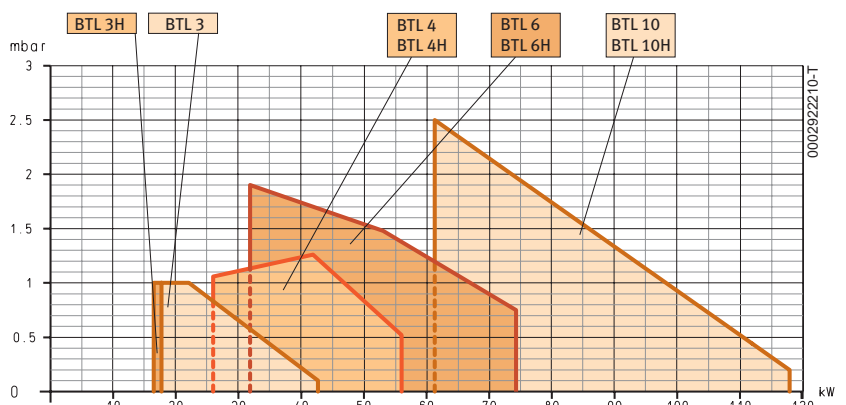
200 mm long combustion head
Biodiesel operation (5)

Light oil burner accessories

Line filter - Flex hoses - Nozzle - Boiler coupling kit - 7 pin plug

Notes

- 1) Equipped with air closure device.
- 2) Equipped with light oil pre-heater with drop-stop device.
- 5) Biodiesel according to european norm EN14213-FAME.
Net calorific value of light oil: $H_i = 42,70 \text{ MJ/kg} = 10200 \text{ kcal/kg}$.



BTL...

From 26 to 118 kW

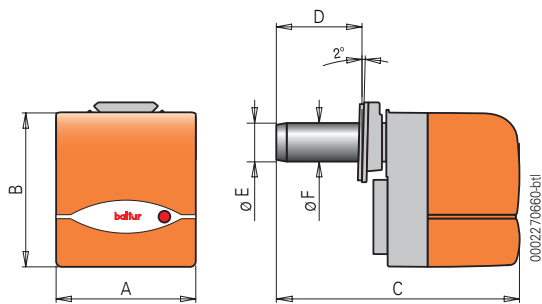
Conform to:
E.M.C. Directive 89/336/CEE
L.V. Directive 73/23/CEE
Reference standard: EN267



TECHNICAL AND FUNCTIONAL CHARACTERISTICS

- Single stage operation (on/off).
- High pressure mechanical atomisation of fuel using nozzle.
- Ability to obtain optimal combustion values by regulating combustion air and blast-pipe.
- Maintenance facilitated by the fact that the atomisation unit can be removed without having to remove the burner from the boiler.
- Manual air flow adjustment.
- When using biodiesel light oil (fuel of

- vegetable origin), the burner must be built with specific components: flexible hoses, line filter and pump.
- Equipped with one 7-pole connector, one flange and one insulating seal for boiler fastening, 2 flexible hoses, one line filter and one nozzle.
- On request: longer blast tube, operation on biodiesel.



CONSTRUCTION CHARACTERISTICS

- The burner consists of:
- Combustion air inlet with device to adjust the air flow; automatically closing air gate.
 - Sliding coupling flange to adapt the head protrusion to the various types of boilers.
 - Gear pump with pressure regulator and fuel stop-cock valve.
 - Variable output fuel preheater (H version).
 - Automatic control and command equipment for the burner compliant with European standard EN230.
 - Flame detection by photoresistance.

- 7-pole outlet for burner electrical and thermostat supply.
- Electrical protection rating IP40.
- Sound-proof plastic protective cover.

Model	A mm	B mm	C mm	D mm	E mm	F mm
BTL 4 - 4 H	245	270	410	50 ÷ 105	80	80
BTL 6 - 6 H	245	270	455	50 ÷ 150	90	90
BTL 10 - 10 H	245	270	480	50 ÷ 158	90	90

Thermal output kW	Model	Part no.	Max visc. °E at 20°C	Electrical supply	Motor kW	Size of packaging L x P x H mm	Weight kg	Notes
-------------------	-------	----------	----------------------	-------------------	----------	--------------------------------	-----------	-------

Frequency 50 Hz

26,0 ÷ 56,1	BTL 4	35490010	1,5	1N AC 50Hz 230V	0,11	540 x 300 x 320	12	1)
26,0 ÷ 56,1	BTL 4 H	35490011	1,5	1N AC 50Hz 230V	0,11	540 x 300 x 320	12	1) 2)
31,9 ÷ 74,3	BTL 6	35510010	1,5	1N AC 50Hz 230V	0,11	540 x 300 x 320	12	1)
31,9 ÷ 74,3	BTL 6 H	35510011	1,5	1N AC 50Hz 230V	0,11	540 x 300 x 320	12	1) 2)
60,2 ÷ 118,0	BTL 10	35530010	1,5	1N AC 50Hz 230V	0,11	540 x 300 x 320	12	1)
60,2 ÷ 118,0	BTL 10 H	35530011	1,5	1N AC 50Hz 230V	0,11	540 x 300 x 320	12	1) 2)

Frequency 60 Hz

26,0 ÷ 56,1	BTL 4	35490010	1,5	1N AC 60Hz 230V	0,11	540 x 300 x 320	12	1)
26,0 ÷ 56,1	BTL 4 H	35490011	1,5	1N AC 60Hz 230V	0,11	540 x 300 x 320	12	1) 2)
31,9 ÷ 74,3	BTL 6	35510010	1,5	1N AC 60Hz 230V	0,11	540 x 300 x 320	12	1)
31,9 ÷ 74,3	BTL 6 H	35510011	1,5	1N AC 60Hz 230V	0,11	540 x 300 x 320	12	1) 2)
60,2 ÷ 118,0	BTL 10	35530010	1,5	1N AC 60Hz 230V	0,11	540 x 300 x 320	12	1)
60,2 ÷ 118,0	BTL 10 H	35530011	1,5	1N AC 60Hz 230V	0,11	540 x 300 x 320	12	1) 2)

Optionals

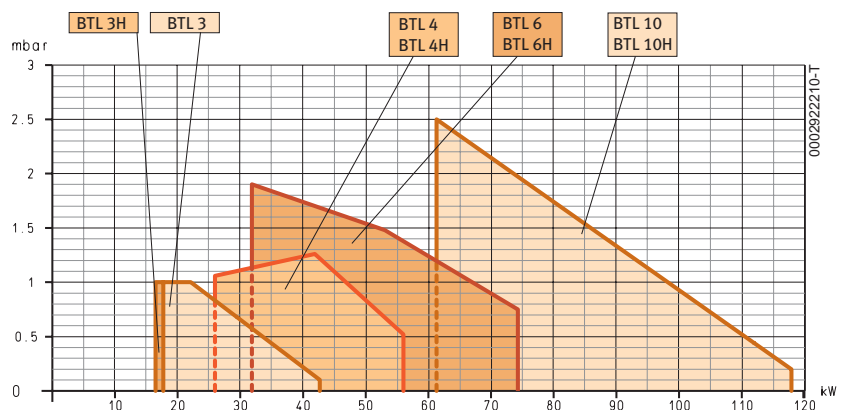
Description
200 mm long combustion head for BTL 4-4H
250 mm long combustion head for BTL 6-6H-10-10H
Biodiesel operation (5)

Light oil burner accessories

Line filter - Flex hoses - Nozzle - Boiler coupling kit - 7 pin plug
--

Notes

- 1) Equipped with air closure device.
- 2) Equipped with light oil pre-heater with drop-stop device.
- 5) Biodiesel according to european norm EN14213-FAME.
Net calorific value of light oil: Hi = 42,70 MJ/kg = 10200 kcal/kg.



BTL...

From 83 to 310 kW

Conform to:
E.M.C. Directive 89/336/CEE
L.V. Directive 73/23/CEE
Reference standard: EN267



Single-stage light oil burners



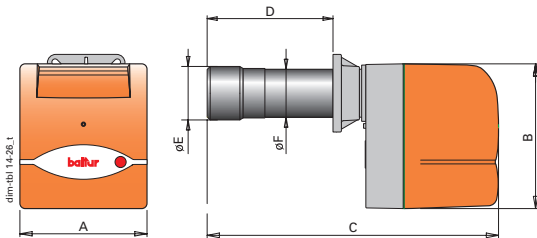
TECHNICAL AND FUNCTIONAL CHARACTERISTICS

- Single stage operation (on/off).
- Ability to obtain optimal combustion values by regulating combustion air and blast-pipe.
- Maintenance facilitated by the fact that the atomisation unit can be removed without having to remove the burner from the boiler.
- Manual air flow adjustment.
- When using biodiesel light oil (fuel of vegetable origin), the burner must be built with specific components: flexible hoses, line filter and pump.
- Equipped with one 7-pole connector, one flange and one insulating seal for boiler fastening, 2 flexible hoses, one line filter and one nozzle.
- On request: operation on biodiesel.

CONSTRUCTION CHARACTERISTICS

The burner consists of:

- Combustion air inlet with device to adjust the air flow; automatically closing air gate (except BTL 26).
- Sliding coupling flange to adapt the head protrusion to the various types of boilers.
- Gear pump with pressure regulator and fuel stop-cock valve.
- Automatic control and command equipment for the burner compliant with European standard EN230.
- Flame detection by photoresistance.
- 7-pole outlet for burner electrical and thermostat supply.
- Electrical protection rating IP40.
- Sound-proof plastic protective cover.



Model	A mm	B mm	C mm	D mm	E mm	F mm
BTL 14	303	345	620	100 ÷ 250	100	100
BTL 20	303	345	645	100 ÷ 250	114	114
BTL 26	303	345	650	100 ÷ 255	135	135

Thermal output kW	Model	Part no.	Max visc. °E at 20°C	Electrical supply	Motor kW	Size of packaging L x P x H mm	Weight kg	Notes
Frequency 50 Hz								
83,0 ÷ 166,0	BTL 14	35610010	1,5	1N AC 50Hz 230V	0,18	780 x 370 x 410	18	1)
118,6 ÷ 261,0	BTL 20	35630010	1,5	1N AC 50Hz 230V	0,18	780 x 370 x 410	18	1)
190,0 ÷ 310,0	BTL 26	35650010	1,5	1N AC 50Hz 230V	0,25	780 x 370 x 410	18	
Frequency 60 Hz								
83,0 ÷ 166,0	BTL 14	35615410	1,5	1N AC 60Hz 230V	0,25	780 x 370 x 410	18	1)
118,6 ÷ 261,0	BTL 20	35635410	1,5	1N AC 60Hz 230V	0,25	780 x 370 x 410	18	1)
190,0 ÷ 310,0	BTL 26	35655410	1,5	1N AC 60Hz 230V	0,25	780 x 370 x 410	18	

Optionals

Description

- 500 mm long combustion head for BTL 14
- 500 mm long combustion head for BTL 20 - 26
- Biodiesel operation (5)

Light oil burner accessories

- Line filter - Flex hoses - Nozzle - Boiler coupling kit - 7 pin plug

Notes

- Equipped with air closure device.
- Biodiesel according to european norm EN14213-FAME.
Net calorific value of light oil: Hi = 42,70 MJ/kg = 10200 kcal/kg.

