

BILBERRY

**NEW
STOVE**

BILBERRY ECO STOVES

Compact and stylish, our range of new Ecodesign Bilberry stoves come in 2 outputs: 5kW Nore and 8kW Suir with the Barrow stove offering a log store. The stoves are named after The Three River Sisters in Ireland, the River Barrow, the River Nore and the River Suir.

Features

- Nominal Heat Output
 - Nore & Barrow 5kW to the room
 - Suir 8kW to the room
- Efficiency up to 78.8% on solid fuel and up to 82.5% on wood - three times more efficient than an open fire
- Primary air control for under grate air
- Combined Secondary window wash & Tertiary control
- Steel Frame with Cast Iron Door
- Multifuel stove
- Large viewing glass
- Top and rear flue exit
- Flue outlet size 125mm
- External Air Capability (Spigot Included)
- Log Store on Barrow



NORE



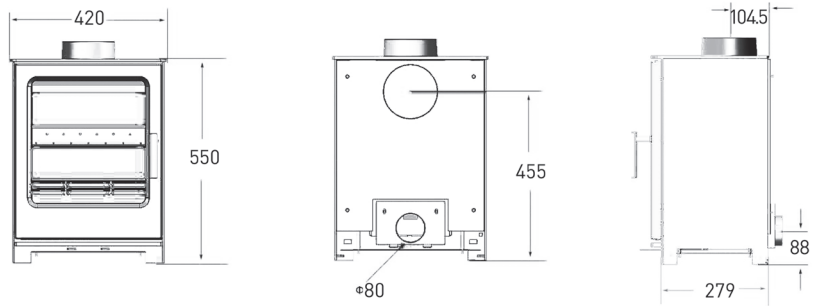
SUIR



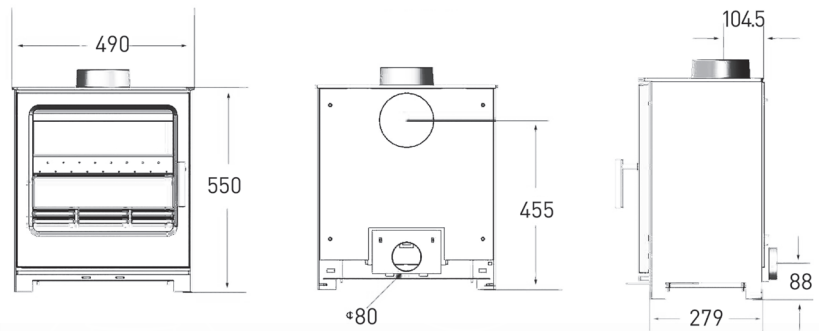
BARROW

DIMENSIONS

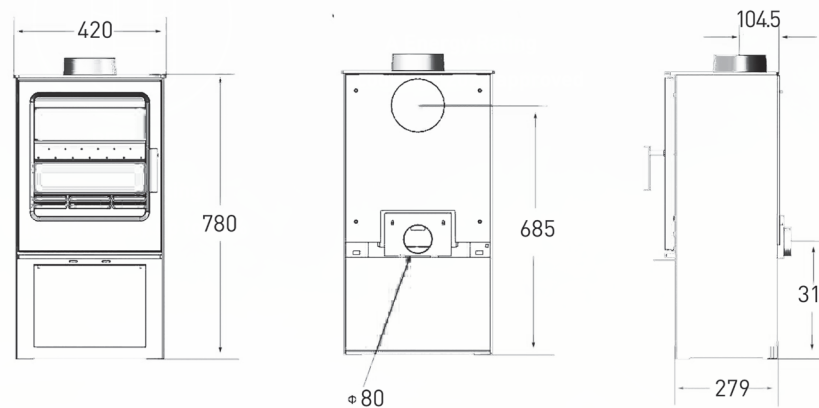
BILBERRY
NORE



BILBERRY
SUIR



BILBERRY
BARROW



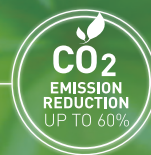
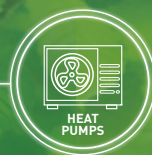
ECO DESIGN 2022

Ecodesign is the European-wide programme to lower emissions to improve air quality from a range of appliances that use energy including stoves and will come into force 1st January 2022. It will apply to both wood burning and solid fuel stoves.

Waterford Stanley is committed to certifying its stoves for Ecodesign 2022. Where you see the below logo on our SOLIS and classic range, they have already been certified for Ecodesign 2022. All our gas, electric and pellet stoves are Ecodesign certified.

What does Ecodesign cover?

- Minimum efficiency rating of 75% for stoves
- Reduction of CO (Carbon monoxide) -88%
- New limit for emissions of NOx
- Introduction in requirements for Particulate matter and organic gaseous compounds



WATERFORDSTANLEY.COM

051 302300

/WATERFORDSTANLEY