

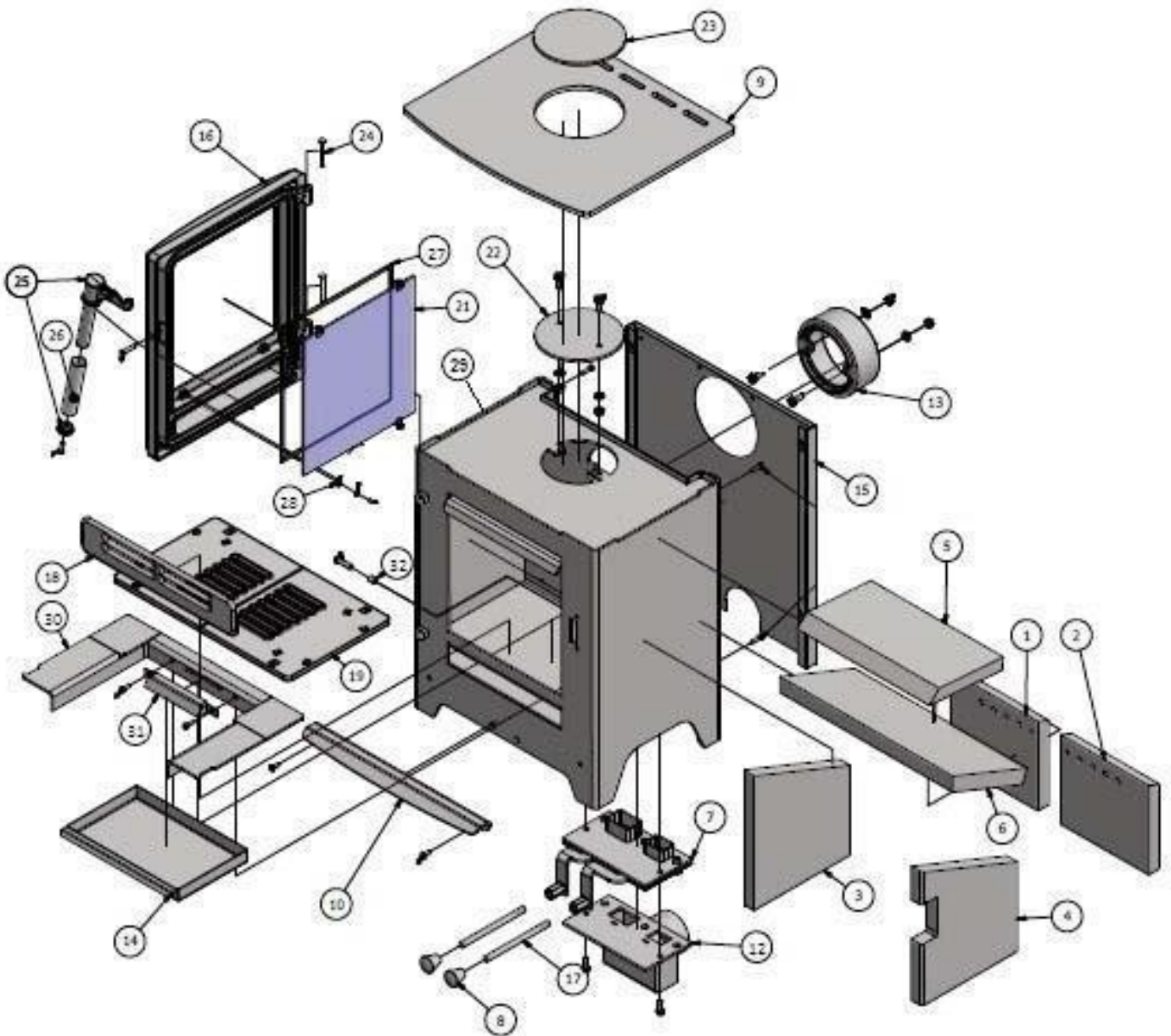
LUDLOW EC5 ECO DESIGN RANGE

PARTS LIST

Issued Sept 2021/B



LUDLOW EC5 COMPACT MODEL - EXPLODED VIEW



ANY DESCRIPTION PREFIXED WITH ECE MEANS THIS PART IS COMMON BETWEEN THE EC4, EC5 & EC5W STOVES - PLEASE REFER TO INDEX TABLES OVERLEAF

EC5W STOVES. Items **HIGHLIGHTED** are not sold individually

LUDLOW EC5 COMPACT MODEL - INDEX TABLE

Ref No.	PART NUMBER	PART DESCRIPTION & QTY'S PER STOVE	QTY PER STOVE
	A5 FIREBOARD SET	SET OF SIX BRICKS (MUST BE BOUGHT AS SET)	1
1	A5-BB	EC5 - LH BACK REFRACTORY BRICK	
2	A5-BB_MIR	EC5 - RH BACK REFRACTORY BRICK	
3	A5-SB LH	EC5 - LHS REFRACTORY BRICK	
4	A5-SB	EC5 - RHS REFRACTORY BRICK	
5	A5-TB	EC5 - TOP BAFFLE	
6	A5-MB	EC5 - BOTTOM BAFFLE	
7	A4-AI-ASSY	ECE - AIR MANAGEMENT INLET ASSEMBLY	1
8	A4-KNOB SS	ECE - STAINLESS STEEL CONTROL KNOB	2
9	LUD A5-09	EC5 - TOP PLATE CAST	1
10	A5-10	EC5 - ASH SHELF	1
12	AOSSOL	ECE - OUTSIDE AIR KIT - EXCLUDES ANY FLEXIBLE PIPE TO EXTERNAL WALL FITTING	1
13	A4 COLLAR	ECE - FLUE SPIGOT	1
14	A5-ASHTRAY	EC5 – ASHPAN	1
15	A5 HS RE	EC5 - REAR BACK HEATSHIELD	1
16	LUD A5138 5KW DOOR	LUD EC5 - CAST DOOR	1
17	A5 AIR CONTROL ROD	EC5 - AIR CONTROL ROD 200MM	2
18	A5 RET BAR CAST	EC5 - FIRE FENCE - LOG RETAINER	1
19	W5 CAST GRATE LR	EC5 - A5 GRATE PLATES	2
21	LUD A5 FD10	LUD EC5 - DOOR GLASS	1
22	A4-04 REAR BLANK	ECE - FLUE BLANKING PLATE	1
23	LUD A5 BLANK PLUG	LUD ECE - TOP PLATE FILLER	1
24	6X50 PIN	ECE - HINGE PIN –	2
25	HANDLE ASSY	ECE - HANDLE ASSEMBLY - COMPLETE WITH OUTER SLEEVE	1
26	HANDLE SLEEVE SS	ECE - HANDLE SLEEVE - STAINLESS STEEL FINISH	1
27	A5FD10 GASKET	EC5 - GLASS GASKET	1
28	BB GLASS CLIP	ECE - GLASS CLIP & SCREW	4
29	A5 MAIN BODY ASSY	LUD EC5 – STOVE MAIN BODY – NOT AVAILABLE FOR SALE	
30	A5 GRATE RISER	EC5 - GRATE FRAME - GRATE RISER	1
31	A5INLET COVER	EC5 - PRIMARY AIR INLET COVER	1
32	A455W8 ROLLER	ECE - LOCK ROLLER - STAINLESS STEEL & SCREW	1
N/A	ECE-250-BL-PAINT	ECE - 250ML TIN OF BLACK LUDLOW PAINT	
N/A	ECE-500-BL-PAINT	ECE - 500ML TIN OF BLACK LUDLOW PAINT	
N/A	ECE-FCHS	ECE - FLUE COLLAR HEAT SHIELD	1
N/A	A5 DRSEAL	EC5 DOOR ROPE SEAL	
N/A	ECE DEFRA/KIT	ECE – TO MAKE THE STOVE COMPLAINT WITH THE DEFRA REQUIREMENT	1

ANY DESCRIPTION PREFIXED WITH ECE MEANS THIS PART IS COMMON BETWEEN THE EC4, EC5 & EC5W