



Ellesmere ECG

Standard ECG Model

Balanced Flue Gas Stove

Natural Gas



**INSTALLATION, SERVICING
AND USER OPERATING INSTRUCTIONS**

For use in GB & IE (United Kingdom and Ireland)

This Stove is – FUEL Type: Natural Gas

Important Notice - *please read carefully*

This is a Mandatory Requirement the gas feed pipe to the rear/side of this stove must be a minimum of 15mm in diameter this will ensure the correct pressure and flow to the stove.

Mandatory Requirement for Installing & Commissioning this stove:

- 15mm diameter minimum gas feed pipe to this stove
- Fitting of an ON/OFF Tap with a Pressure Test Point fitted to the side of this stove (this tap is not supplied with the stove)
- Rear Chain kit is fitted – full instructions in this stove
- Flue locking screws x2 fitted into the flue collar
- The stove is installed, commissioned & operated as stated in this manual

Installation Information

Please complete the following form for reference when required:

Ref.	Description	Please Complete
1	Which retailer did you purchase the stove from?	Name & Address of Retailer:
2	What date did you purchase your new stove?	Date:
3	What was the name of the gas fitter that installed your stove?	Full Name: Contact Number:
4	What is the installer Gas Safe Registration Number?	Gas Safe Registration No.:
5	What is the serial Number of your stove? <i>This can be found inside the front door above the bottom hinge</i>	Serial Number:
6	What date was your stove installed?	Date:
7.	The AGA Name, Model & Gas Type reference for this stove is	Name - Ellesmere Model - ECG Standard Gas Type – Natural Gas Controller - Maxitrol Mertik GV60

Technical Data Summary:

Reference	Description	Data
1	Nominal Heat Output – High Flame	4.37 kW
2	Efficiency %	81%
3	European Energy Label Rating (EEL Eco Labelling)	“A”

Who Can Fit My New AGA Gas Stove:

Before the Gas Engineer can commence working on this stove they must be Gas Safe - qualified and registered for Natural Gas to install, commission and service this stove to the Domestic Gas Safety (CCN1) standard as a minimum and also have the (HTR 1) Category on their Gas Safe Individual Register listing which can be verified at www.gassaferegister.co.uk

HTR 1 - Category = Fire/Space Heater - Competent in the install, exchange, commission, disconnect, service, repair, safety checking and break down of domestic gas fires, wall heaters, convector heaters, stoves and flueless gas fires.

The installation of this stove is Notifiable Under Building Control – Building Regulation 2002 Part J

This Stove is set up for Natural Gas Only



Content

Section	Content	Page Number
	Installation Information – please complete	2
1.0	General Notes	4
2.0	User instructions	5
2.1	Emergency Gas Isolation	5
2.2	First Time Operation & Paint Curing & Stove Dimensions <ul style="list-style-type: none"> • Curing the Paint • Health & Safety & Fitting the Anti Tip Support Chain • Stove Dimensions 	5 6 9
2.3	Control Overview <ul style="list-style-type: none"> • Batteries • Understanding how to use the Remote Control • Cleaning & Maintenance 	7 8 13
2.4	Manual Turn OFF <ul style="list-style-type: none"> • Remote Pairing 	17
2.5	What Comes with My Stove	18
3	Installation instructions	19
3.1	Gas Connection	19
3.2	Ventilation	19
3.3	Appliance Free standing Installation <ul style="list-style-type: none"> • Distance to Combustibles and Non Combustibles 	20
3.4	Appliance Fire Place Installation & Understanding the GV 60 Valve <ul style="list-style-type: none"> • Removing the Inner Glass to Access the Fire bed 	22
3.5	Flue Connection <ul style="list-style-type: none"> • Fitting the Flue Collars • Rear Exit Configuration • Top Exit Configuration • Understanding & Checking the Relief Valve Flap • Terminal Locations • AGA Flue Systems – Flue Kits 1 to 4 • AGA Flue Kits 1 & 2 – Top Exit • AGA Flue Kits 3 – Rear Exit - Snorkel • AGA Flue Kits 4 – Renovation Kit for Existing Chimney • Fitting the Batteries into the External Power Pack 	23
3.6	Fuel Bed Arrangements – Step By Step Log Layout	33
3.7	Commissioning the Appliance <ul style="list-style-type: none"> • Burner Check • Pressure Check • Receiver Controller unit 	36
4.0	Servicing	38
4.1	Cleaning the Ceramics	38
4.2	Servicing the Burner	38
5.0	Technical Information <ul style="list-style-type: none"> • Burner Data 	39
5.1	Exploded View of the Parts <ul style="list-style-type: none"> • Parts List 	40
5.2	Warranty Details	42
Appendix 1	Fault Finding Chart	44
Appendix 2	Appliance Commissioning Checklist & Customer Sign Off	47
Appendix 3	Annual Servicing Records	48
Appendix 4	Energy Efficiency Label	49

1. General Notes

This AGA Stoves gas appliance is a High Efficiency, Balanced Flue Log Fuel Effect appliance. It provides radiant and convectional heat using the latest burner technology, as well as having a variable heat output.

Before Installation, check that the local distribution conditions, nature of the gas and pressure, and adjustment of the appliance are compatible.

This appliance is intended for use on a gas installation with a governed meter.

This Gas Installation **may only be installed by a registered professional competent person (Gas Safe installer in the UK)**. The installation must adhere to the requirements of the local and national Building regulations and national standards. This installation manual must also be followed.

Ensure that the Flue Terminal is not in any way obstructed and is clear of vegetation, i.e. trees, shrubs etc. and that no objects are leant against the terminal or guard.

Always clean the Window Panel before the fire is ignited. Any finger prints must be removed, as these will be burnt into the glass and will be un-removable.

Do not operate this appliance if the glass panel has been broken (or cracked), removed or with firebox access panels open.

Only flue approved by AGA Stoves for this appliance may be used.

This appliance is a balanced flue product and is room sealed and as such requires no additional ventilation for operation. However an adequate supply of fresh air to maintain temperatures and a comfortable environment is recommended.

This appliance is designed as a heating appliance, and as such will get very hot in operation; all surfaces are considered to be working surfaces and as such should not be touched. The front door window and surrounds are not considered to be fully secure guards against accidental contact. It is recommended that an approved fire screen be used if children, the elderly or persons with limited mobility are to be present in the same area.

Do not place curtains, laundry, furniture etc. within a safe distance of 1000mm (HOT ZONE) of this appliance when in operation

Do not attempt to burn rubbish on this appliance.

Only use the AGA approved and AGA supplied Ceramic Logs and embers

If this appliance is extinguished (turned off), on purpose or otherwise, no attempt to relight should be made within 3 minutes as the thermocouple inside the stove needs to reset automatically when the firebox heat reduces accordingly

2. User instructions.

2.1 Emergency Gas Isolation

When installing this stove the Gas Safe Installer **must fit a gas isolation valve at the rear of the stove with a pressure test point incorporated into the On/OFF Tap** - Please make the customer aware of where this valve is fitted

In the event of a gas leak or if gas is smelt, the appliance must be isolated. This is done by turning OFF the gas at the Isolation Tap. This Isolation Tap should be fitted to the rear or side of the appliance.

2.2 First Time of Operation

Before igniting the appliance, ensure that all packaging, safety stickers and any protective wrapping have been removed, and that the glass has been cleaned, including all fingerprints from the glass.

Ensure that the room is adequately ventilated the first time that the appliance is ignited; we would recommend opening windows if possible.

Curing the Paint

Run the appliance at a 25% setting for a 1 hour

Then at a 50% Setting for 1 hour

Then Finally on Full Power 100% for 1 hour

This will then allow the paint the opportunity to fully cure. During this period it is possible for some fumes and vapours to be given off.

We would recommend keeping children and pets out of the area at this time.

Health & Safety

To prevent the stove from tipping forward when the cast door is open & the flue pipe being pulled off the flue collar

Additional Mandatory Requirements:

Fitting the Rear Chain - During the stove installation process, this stove requires a chain fitting to the rear of the stove as per the following detailed instructions and a "screw in eye" secured into a suitably solid wall directly behind the stove using the enclosed wall fixing for solid brickwork. A different wall fixing would be required for a cavity plasterboard wall which is not supplied as part of this kit

When fitted correctly this will prevent the stove from tipping forward when the door is in the open position

The full installation kit for this is included inside the stove and consists of:

- Chain with Snap Hook fitted to the end of the chain
- Screw in Eye and wall fixing
- Washer (used when screwing the chain onto the back of the stove, with the back panel flange fixing already on the back of the stove holding the back panel in place)

This chain is set up, so it can be used at its maximum length to achieve the 350 mill length required behind the stove when the stove is fitted in front of a combustible wall/material and then you would shorten the chain with the snap hook when fitting in front of a non-combustible wall down to the minimum distance of 100mm from the rear of the stove to the non-combustible wall

Drilling the Flue Pipe for the 2 x Locking Screws - Additionally as a mandate we require the flue pipe once finally fitted (regardless of whether the flue exits from the top of the stove or the rear of the stove to be drilled from either side into the flue collar and a self-tapping screw (size No.8 x 10mm long – pan head stainless steel posi drive) - one each side to be screwed into place so the flue pipe cannot be pulled off the flue collar. See position of screw overleaf on diagram

When drilling the two holes into the Black coloured flue pipe we recommend putting masking tape around the flue pipe where you wish to drill it first, then marking the 2 x hole positions, then using a metal drill bit, drilling through the masking tape this will help to prevent any scratching of the black flue pipe

The flue pipe and flue collar are manufactured from stainless steel when drilling only drill through the outer skin of the flue pipe and the first outer layer (fresh air part of the concentric flue) of the flue collar so the drill is only going in a maximum of 10 mill depth, therefore the inner exhaust flue cannot be damaged. **Please note do not drill into the exhaust pipe of the concentric flue, this is the 100mm inner section of the flue pipe where the exhaust gases are removed**

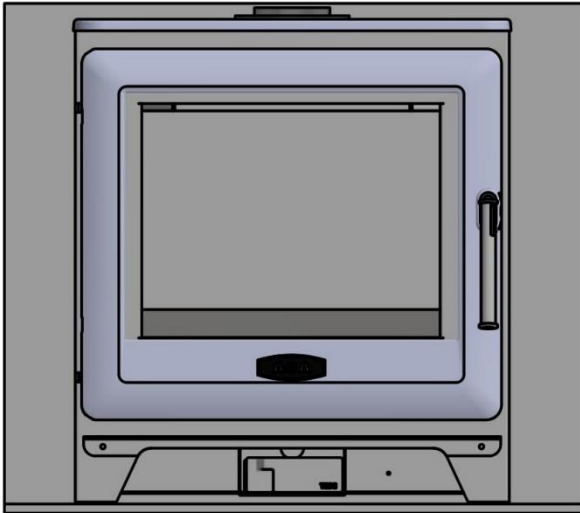
Then place a small amount of high temperature sealant onto the screws before screwing them in fully to ensure an air tight seal is achieved, then finally fully test the flue for its integrity and the locking bands are all fitted correctly on all joints

If you are fitting the flue to the top of the stove there is a convection cavity below the lid so the 2 x locking screws can be fitted in here, below the lid so they are not seen. But this will involve lifting the lid up to drill and 2 x holes then fit the 2 x self tapping screws then lowering the lid without scratching the flue pipe

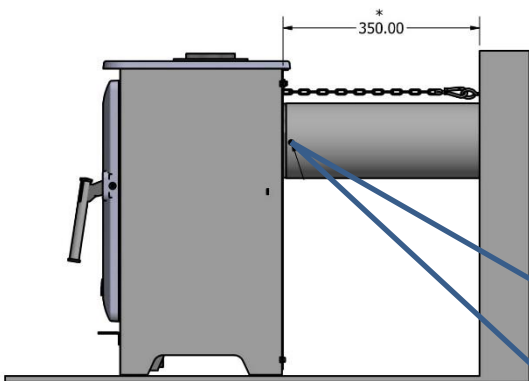
When fitting the flue out of the rear of the stove, the 2 x fixing screws at the rear can be fitted on the outside of the back panel plate as they are not seen, but they must be drilled and fixed into the flue collar, but again just the 150mm outer collar of the 2 piece flue collar

Fitting the Rear Support Chain – The Position of the Chain

Drilling the Flue for a Locking Screws



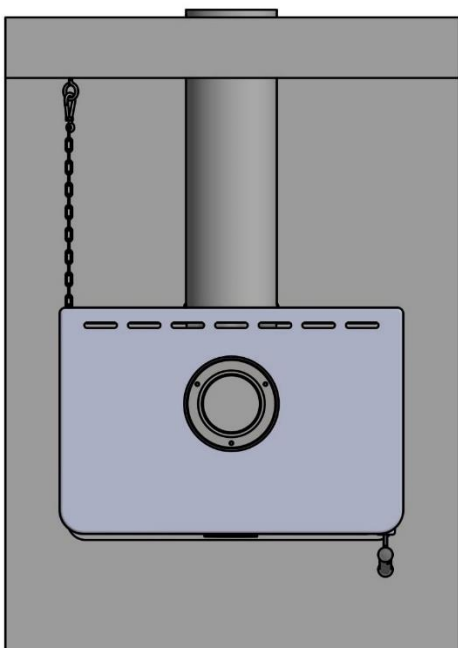
Picture showing the stove from the front



Picture showing the stove from the side with the support chain fitted to a distance of 350mm. This is the minimum distance to a combustible wall

As a mandate we require the flue pipe once finally fitted (regardless of whether the flue exits from the top of the stove or the rear of the stove to be drilled from either side into the flue collar and a self-tapping screw (size No. 8 x 10mm long – pan head stainless steel posi drive) - one each side to be screwed into place so the flue pipe cannot be pulled off the flue collar.

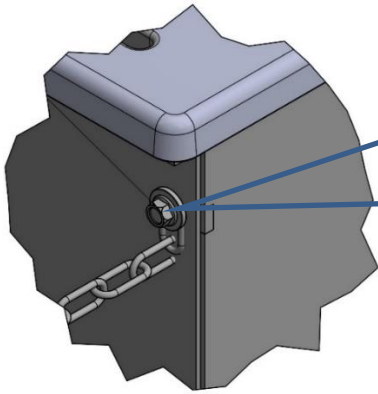
Refer to full instructions on previous page



Picture showing the stove from the top view with the support chain fitted to a distance of 350mm. This is the minimum distance to a combustible wall

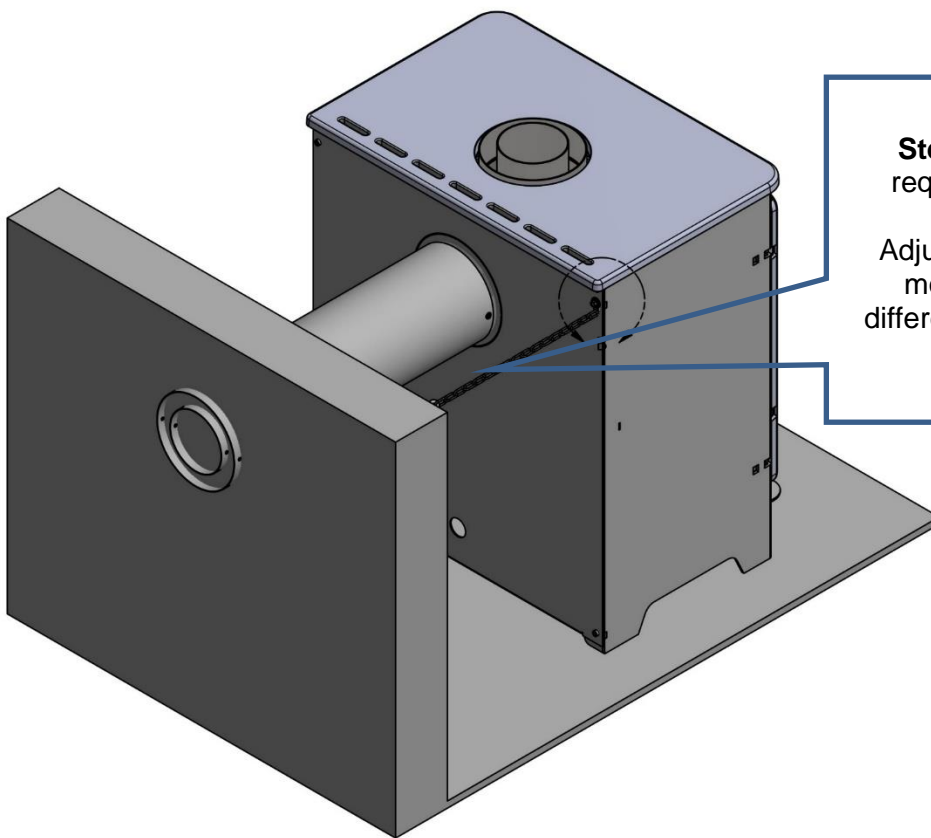
Mandatory Requirement - Fitting the Rear Chain

The chain can either be fitted to the right hand side or the left hand side of the stove at the rear



Step 1 - You are required to fit this chain regardless of whether you flue out the top of the stove or out the rear of the stove it is a mandatory requirement to be installed correctly

Unscrew the top bolt that holds on the rear panel and bolt on the chain provided using the washer so the chain is fixed securely to the back of the stove



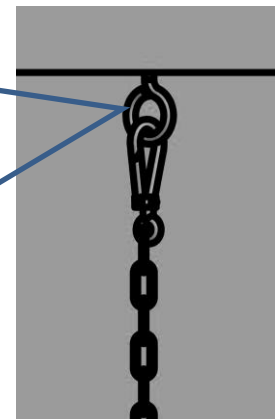
Step 2 - Set the distance you require at the rear of the stove

Adjust the length of the chain by moving the snap hook into a different link to shorten the chain if required

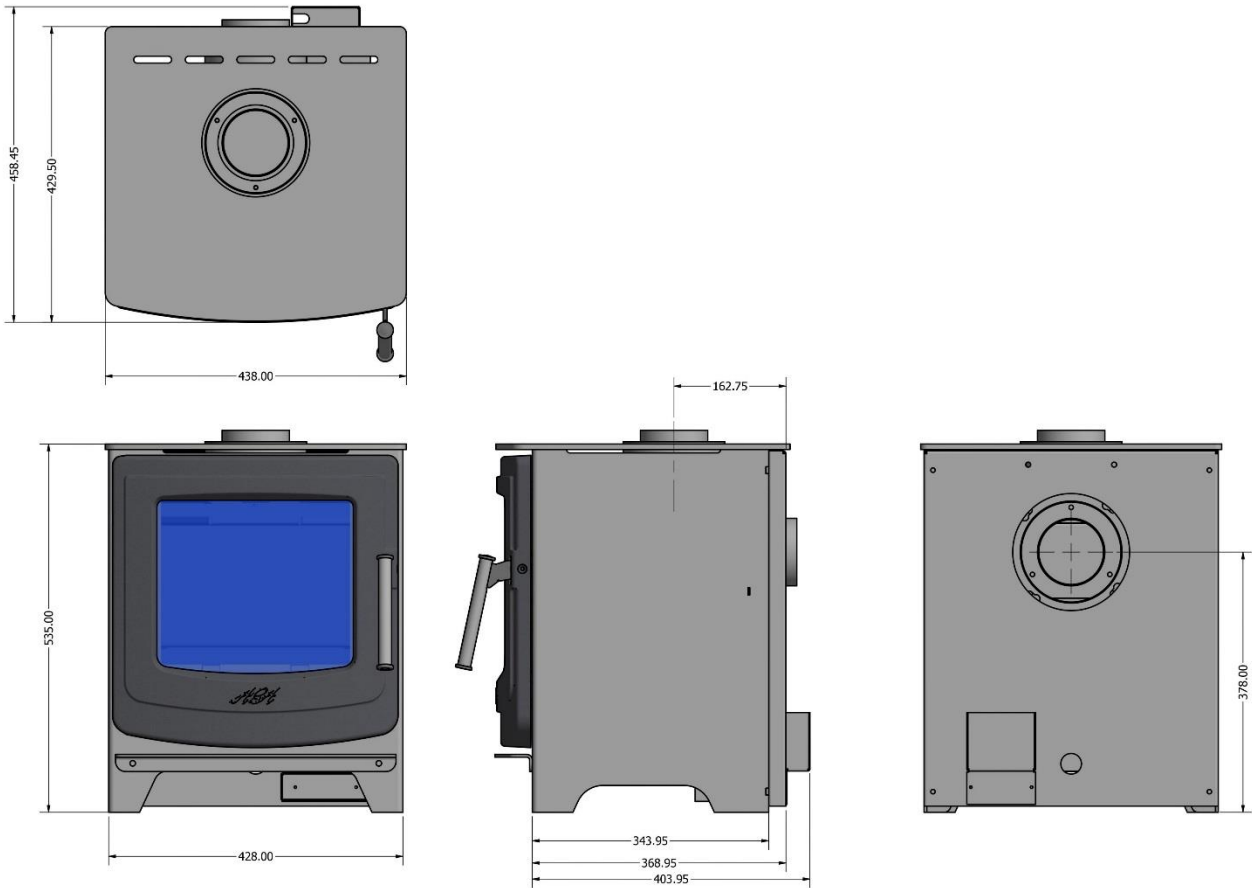
Step 3 - Diagram of eye hook fitted into rear wall - Drill the rear wall directly behind and in a straight line with the bolt holding the chain to the rear of the stove, with a suitably sized masonry drill to the correct depth to match the rawplug provided, then fit the rawplug & screw the eye hook into the wall. If you are fitting the hook into a plasterboard wall you will need a different fixing which is not provided. Ensure the hook is solid and secure in the wall so it will take a weight greater than 150kgs but a maximum of 250kgs

Clip the snap hook onto the eye bolt in the wall insuring the chain is at the right length so it is straight but not over tight but not loose

Now this chain is fitted it will prevent the stove tipping forward when front door is open



Stove Overview & Dimensions



This stove uses the latest technology with regard to fresh air management hence its high efficiency. This stove is fully remote controlled (can only be used with the supplied remote control – it cannot be used in a manual mode) and is operated by this simple hand held remote control shown below



Pictures of the Handset Remote Controller and rear picture showing how the battery is fitted
The 9v battery is supplied fitted inside the remote controller

2.3 Control Overview

DO NOT USE RECHARGEABLE BATTERIES IN THIS STOVE – WE RECOMMEND YOU USE DURACELL ALKALINE BATTERIES ONLY

Batteries – Remote Control handset – comes fitted in the remote

- 1 x 9 V (Alkaline Duracell recommended). – initially supplied with the stove
- Low battery indicator on handsets with display.
- Battery replacement is recommended after 2 years maximum

Batteries – Receiver (Stove Controller) – Rear Battery Pack – supplied loose inside the stove

The stove is fitted with a simple lift out battery pack located at the rear of the stove – Fully detailed later in this manual – therefore do not attempt to fit batteries into the actual receiver unit (which is fitted inside the stove body in a silver heat proof pocket), as this will cause permanent damage and void your warranty

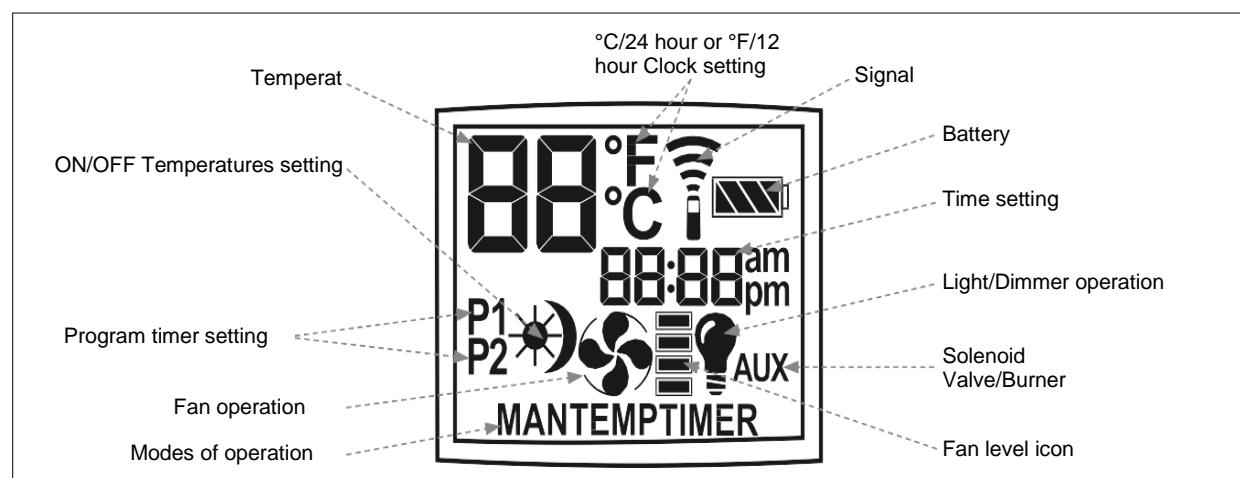
- 4 x 1.5 V “AA” required (Alkaline Duracell recommended).- initially supplied with the stove
- Low battery indication: frequent beeps for 3 seconds when motor turns.
- An AC Mains Adapter may be used instead of batteries – Option Extra
- If NOT USING a mains adapter, battery replacement is recommended at the beginning of each heating season. Which are fitted into the rear removable Battery pack

NOTICE

Only the AGA approved - AC Mains Adapter can be used. Use of other adaptors can render the system inoperable and cause permanent damage which is not covered by the warranty

2.3.2 Remote Control

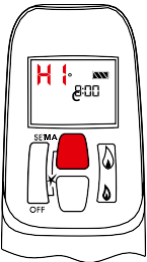
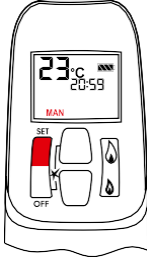
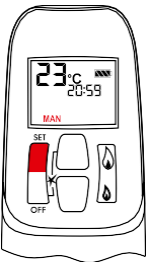
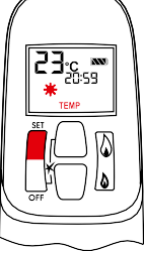
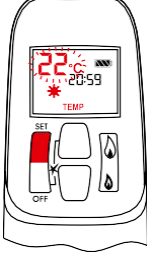
Display on the Remote Control explained



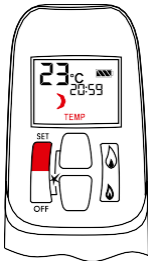
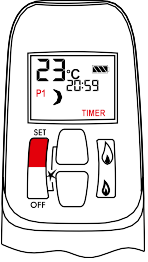
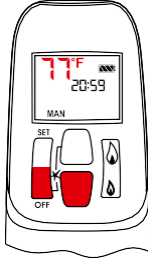

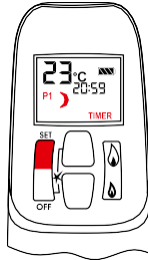
Please note – the following 3 functions are not applicable to this stove, Fan, Solenoid Valve & Light Dimmer

Remote Control - Operating Instructions

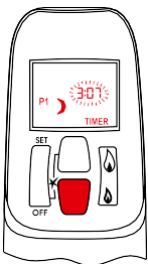
	<p>Turning ON the Stove</p> <ul style="list-style-type: none"> • Simultaneously press the OFF and 🔥 (large flame) buttons until a short beep confirms the start sequence has begun; release buttons. • Continuing beeps confirm the ignition is in process. • Once pilot ignition is confirmed, there is main gas flow. • After main burner ignition the handset will automatically go into manual mode.
	<p>Turning OFF the Stove</p> <ul style="list-style-type: none"> • Press just the OFF button.
	<p>Flame Height Adjustment – Setting the High Flame - Maximum Heat Output</p> <ul style="list-style-type: none"> • In standby mode: Press and hold 🔥 (large flame) button to increase flame height
	<p>Flame Height Adjustment – Setting the Low Flame - Minimum Heat Output</p> <ul style="list-style-type: none"> • Press and hold (small flame) button to decrease flame height or to set appliance at pilot flame. • For fine adjustment tap the 🔥 (large flame) or (small flame) buttons <p>Putting the Stove into Standby Mode (Pilot Flame Only)</p> <ul style="list-style-type: none"> • Press & hold 🔥 (small flame button) to set appliance at pilot flame
	<p>Quick Approach to Setting the Stove into LOW Flame mode</p> <ul style="list-style-type: none"> • Double-click (small 🔥 flame) button. “LO” will be displayed. • Note: Flame goes to high fire first before going to designated low fire.

	<p>Quick Approach to Setting the Stove into HIGH Flame mode</p> <ul style="list-style-type: none"> • Double-click 🔥 (large flame) button. Flame automatically goes to high fire. “HI” will be displayed
	<p>Setting up the Mode of the Stove</p> <ul style="list-style-type: none"> • Briefly pressing the SET button changes the mode of operation in the following order: <p>The 5 Mode Sequences are:</p> <ol style="list-style-type: none"> 1 – MAN - Manual Mode 2 – TEMP - Daytime Temperature (☀ SUN LOGO) 3 – <i>Light – (Please Note – Not Activated on this Stove Model)</i> 4 – <i>Fan – (Please Note – Not Activated on this Stove Model)</i> 5 – TEMP - Night time Temperature (🌙 MOON LOGO) <p>NOTE: Manual mode can also be reached by pressing either the 🔥 (large flame) or the 🔥 (small flame) button</p>
	<p>MAN - Manual Mode</p> <ul style="list-style-type: none"> • Manual flame height adjustment
	<p>☀ TEMP - Daytime Temperature Mode</p> <ul style="list-style-type: none"> • (Appliance must be in standby mode; pilot ignited) • The room temperature is measured and compared to the set temperature. The flame height is then automatically adjusted to achieve the Daytime set Temperature
	<p>Setting the ON/OFF “Daytime” temperature</p> <p>Briefly press the SET button to scroll to TEMP (☀ SUN LOGO) mode Hold the SET button until the TEMP flashes</p>

	<p>Press 🔥 (large flame) button to increase ☀ Daytime set Temperature.</p>
	<p>Press the (small flame) button to decrease ☀ Daytime set Temperature</p>
	<p>Press OFF or simply wait to complete programming</p>
	<p>Setting the “Night time Set back” temperature Default Settings</p> <p>Briefly press set button to scroll to TEMP 🌙 (Moon Logo) mode.</p> <p>Hold the set button until the Temperature flashes</p>
	<p>Press 🔥 (large flame) button to increase 🌙 night time setback Temperature</p>
	<p>Press the (small flame Logo) button to decrease 🌙 night time setback Temperature</p>
	<p>Press OFF or simply wait to complete programming</p>

	<p>Setting the “Night time Set back” temperature</p> <p>Default Settings</p> <p>Night-time setback temperature mode (Appliance must be in standby mode; pilot ignited) The room temperature is measured and compared to the night time setback Temperature. The flame height is then automatically adjusted to achieve the night time setback Temperature</p>
	<p>Timer Mode</p> <p>(Appliance must be in standby mode; pilot ignited)</p> <p>The Timers P1 and P2 (Program 1, Program 2) each can be programmed to go On and OFF at specific times. For instructions see Timer Programming Mode.</p> <p>NOTE: The display shows the set temperature every 30 seconds</p>
	<p>Setting °C/24 Hour or °F/12 Hour Clock</p> <p>Press OFF and (small flame) button until display changes from Fahrenheit/12 hour clock to Celsius/24 hour clock and vice versa.</p>
	<p>Setting the Time</p> <p>The Time display will flash after either:</p> <ul style="list-style-type: none"> (A) installing the battery or (B) simultaneously pressing the 🔥 large flame and the small flame buttons <p>Press the 🔥 (large flame) button to set the hour Press the small flame button to set the minute. Press OFF or simply wait to return to manual mode</p>
	<p>Setting the Program Timers – Default Settings</p> <p>Program 1: P1 (SUN LOGO): 6:00 P1 (MOON LOGO): 8:00 Program 2: P2 (SUN LOGO): 23:50 P2 (MOON LOGO): 23:50 2 x ON times can be programmed ⚡ per day - The day starts at 0:00, ends at 23:50.</p> <p>The ON/OFF times have to be programmed in the order P1 ⚡ ≤ P1 🌙 < P2 ≤ P2 If P1 ⚡ = P1 or P2 = P2 🌙 the timer is deactivated</p> <p>To have the fire over night, it can be set: P2 🌙 23:50 and P1 ⚡ 0:00</p>

	<p>Select Timer Mode by briefly pressing the SET button</p>
	<p>Setting P1 - ON Time Hold the set button until P1 and ☀ (sun) are displayed and the time flashes</p>
	<p>Set the hour by pressing the 🔥 (large flame) button</p>
	<p>Set the minutes by pressing the 🔥 (small flame) button</p>
	<p>Setting P1 off time Briefly press SET button to scroll to setting P1 OFF time. P1 and 🌙 (moon) are displayed and the time flashes</p>
	<p>Set the hour by pressing the 🔥 (large flame) button</p>

	<p>Set the minutes by pressing the (small flame) button</p>
	<p>Setting P2 - ON time Briefly press set button to scroll to setting P2 On time. P2 ☀ (sun) is displayed and the time flashes. See instructions "Setting P1 ON Time".</p> <p>Setting P2 - OFF time Briefly press SET button to scroll to setting P2 OFF time. P2 🌙 (moon) is displayed and the time flashes.</p> <p>See instructions "Setting P1 OFF Time".</p> <p>This concludes programming Timers P1 and P2. Press off or wait. The handset will automatically save your changes</p>

Cleaning and Maintenance

This appliance should be inspected and serviced once a year by a qualified, competent and Gas Safe registered person. The inspection and maintenance must at least ensure that the appliance is working correctly and safely.

It is advisable to clean the appliance of any dust and debris before the heating season and especially if the appliance has not been used for some time. This can be done with a soft brush and a vacuum cleaner or a damp cloth and if required a non-abrasive cleaning agent. Do not use corrosive or abrasive substances to clean the appliance.

Annual Service

For the AGA Warranty to be valid this stove must be serviced once a year by a Gas Safe Qualified Engineer. After an annual service on this stove please complete the record sheet at the rear of the manual

2.4 Manual Turn OFF

In the event that the appliance needs to be turned **OFF** manually, for instance, if the remote control is lost or the batteries become totally flat, or you are not going to use the stove for an extended period of time, the battery pack can be accessed and the switch flipped to the **OFF** position and remove the batteries

The picture below shows the battery box and then an enlarged picture of the **ON/OFF SWITCH** on the battery box, this is located at the back of the stove in the pocket at the bottom. **Please make sure the switch is in the ON position and the jack plug connected in fully when you wish to use the stove**



Gas Isolation Valve - To turn the gas off to the stove if you are not using it for a long period of time, please use the gas isolating ON/OFF valve that your fitter would have installed when the stove was fitted. This **Gas Isolation Valve** is not part of the components we supply with the stove, your installer will supply this. Please note it must have a gas pressure test point built into the valve

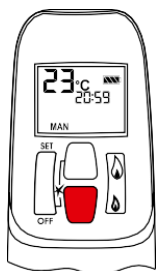
Pairing the Remote to the Stove - (First time use only.)

When you receive your stove the handset remote controller has already been paired to the stove

However if you ever need to pair the remote or replace the remote this is what you need to do. A code is selected automatically from among 65,000 random codes available. The receiver has to learn the code of the remote handset:

- Press and hold the receiver's reset button (see pic below) until you hear two (2 x) beeps. The first beep is short and the second beep is long. After the second beep, release the reset button.
- Within the subsequent 20 seconds press the (small flame) button on the handset until you hear two additional short beeps confirming the code is set. If you hear one long beep, this indicates the code learning sequence has failed or the wiring is incorrect.

Note: This is a one time setting only, and is not required after changing the batteries in the remote handset or battery pack



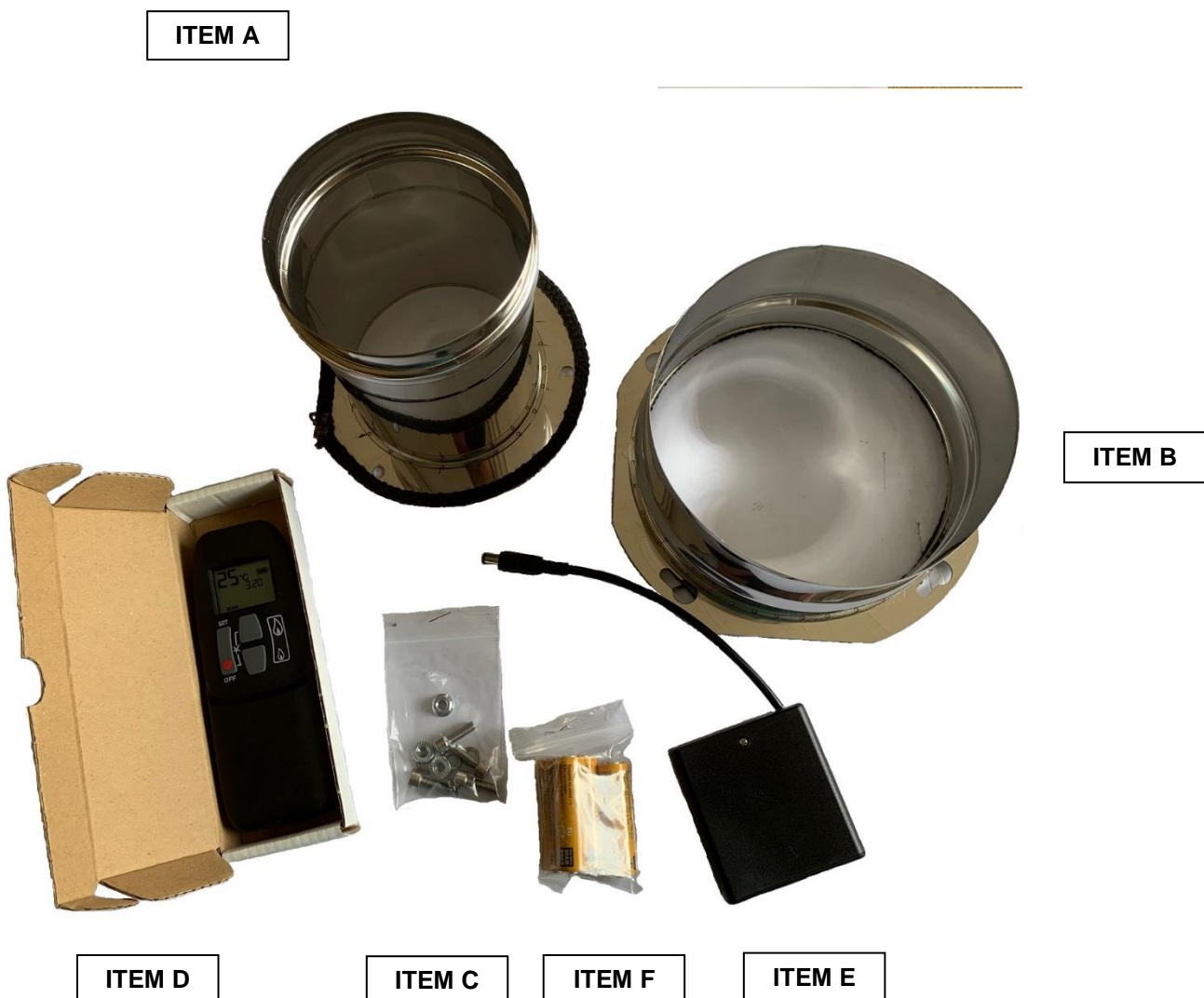
2.5 What Comes with My Stove

Packing List - The Following Items are placed within the Firebox for Safe keeping during transit

- A - Inner Exhaust Flue Collar (100mm Diameter) with gasket seal fitted
- B - Outer Fresh Air Flue Collar (150mm Diameter) with gasket seal fitted
- C - Sealed packet of screw to fit the above flue collars consisting of:
 - 4 x *Stainless Steel M5 x 16mm long Cap screws – for fixing the Outer Flue Collar*
 - *Spring locking washer - for fixing the Outer Flue Collar*
 - *M5 x Flange Nuts – for fixing the Inner Flue Collar*
- D - Remote control with battery fitted & and already paired to the stove – ready to work
- E - Battery Box
- F - 4 X AA Duracell Batteries to be fitted into the Battery box
- **G – Anti Tip Chain Kit – in a plastic bag consisting of chain, screw eye, rawplug & hook**
- **H – Instruction manual**

G & H not shown in the picture below

The log set is in a cardboard box fitted to the rear of the stove and protected by the transport pallet



You have to purchase the AGA flue kit separately please refer to the Flue Kits

3. Installation Instructions.

Before commencing Installation, confirm that the details on the appliance data plate correspond to the local distribution conditions, gas type and pressure to which the appliance is to be installed.

Ensure that gas supply and supply pipe is capable of delivering the required volume and pressure of gas and is in accordance with the rules in force.

3.1 Gas Connection

This appliance has a gas inlet connection of Ø 8mm. **You must fit an isolation tap with a pressure test point incorporated into it at the rear or the side of the stove so the gas supply can be easily isolated if required**

3.2 Ventilation

This appliance is a Balanced Flue room sealed appliance, and as such needs no additional ventilation. However an adequate supply of fresh air to maintain temperatures and a comfortable environment is recommended.

This appliance may be installed in a completely sealed or mechanically ventilated house.

3.3 Appliance Free-standing Installation

Determine the position required for the appliance.

Create a gas connection with **ON/OFF TAP** for the appliance in approximately the correct location for the gas controls.

The gas controls are connected to the Burner of the appliance. (Factory Fitted)

Do not make any adjustments to the appliance.

The Flue system should be fitted with a minimum clearance of 350mm from any combustible objects or materials; this includes any combustible materials used for the fireplace construction.

As this is a room sealed appliance and the appliance stands appropriately and is securely fixed to the floor, a hearth is not required for this appliance. But a hearth would be a requirement when being fitted to a combustible floor surface such a carpet, wooden or laminate flooring

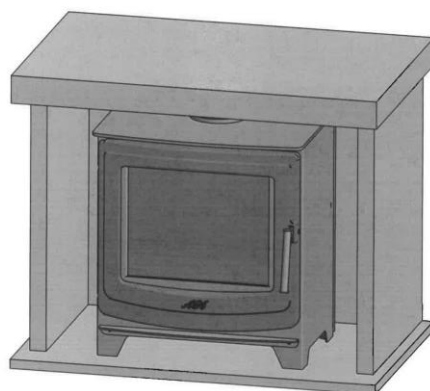
A minimal gap of 100mm should be left all round the appliance to non-combustible materials.

For minimum clearance to combustible materials see table overleaf – However any installation must be in accordance with the latest Local Building Regulations

Clearance to Combustible & NON Combustible Materials

Reference Point	Minimum Clearance from Combustible Materials	Minimum Clearance from Non Combustible Materials
Either Side of the Stove	550mm	100mm
Rear of the Stove to the Wall	350mm	100mm
Top of the stove to the underside of the Mantel	As defined by the latest Local Building Regulations	As defined by the latest Local Building Regulations
Hot Zone to the Outside of the Front Door of the Stove	Allow 1000mm to the front as this area gets HOT	Allow 1000mm to the front as this area gets HOT

Diagram for illustration purposes only - Not to Scale



Please Note - In the Hot zone at the front of the stove, do not place to dry laundry as it could cause a FIRE, if children, the elderly or persons with limited mobility are in the room unoccupied a Fire Guard must be installed

3.4 Appliance Fireplace Installation

Determine the position required for the appliance.

Create a gas connection for the appliance in approximately the correct location for the gas controls. With a cut off valve and pressure test point

The gas controls are connected to the Burner of the appliance. (Factory Fitted)

This appliance has adjustable feet, these must be set to the desired length before the flue position is finalised. Fine adjustment of the legs is available via the feet.

Do not make any adjustments to the appliance, except the adjustment in the bolts to level the stove if required.

The appliance should be fitted with a minimum clearance as defined in the table above from any combustible objects or materials; this includes any combustible materials used for the fireplace construction. This clearance distance can be reduced to 300mm if a Cement Board, of minimum thickness 12mm is used. This Cement Board will act as a Thermal Break.

The clearance distance of the Flue from combustibles must not be less than 350mm. This dimension can be reduced to 300mm as the distance from the underside and the sides of Horizontal Flue runs.

As this is a room sealed appliance and the appliance stands on appropriate legs, a hearth is not required for this appliance. But would be a requirement when being fitted to a combustible floor surface such as a carpet, wooden or laminate flooring

If a shelf is to be fitted above the fireplace opening, a gap (as defined by local building Regulations must be adhered to) should be left between the opening and the shelf.

3.4.1 Building the Fireplace into a False Chimney

Construct a studwork fireplace to the desired sizes. Any combustible material used to construct the Fireplace must not be closer than the minimum dimensions quoted in section 3.3 above. Cement Board of minimum thickness 12mm, can be used as a Thermal Break.

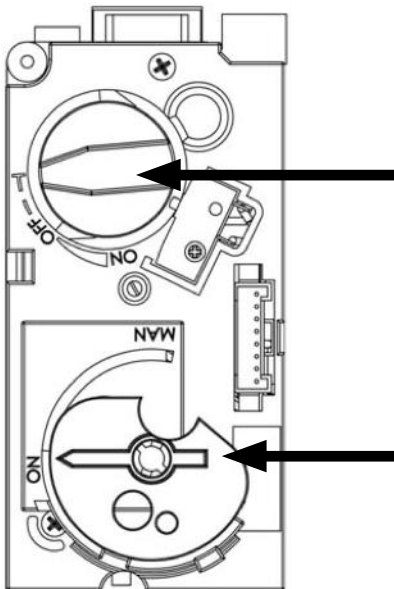
Do not use insulation material (or other) to pack the void around or above the appliance.

Provide ventilation for the fireplace to the minimum amount quoted in 3.3 above.

Understanding the GV 60 Control Valve

The control valve is located under the burner of the stove. This GV 60 Valve should only be removed by a Gas Safe Qualified Engineer (only if required)

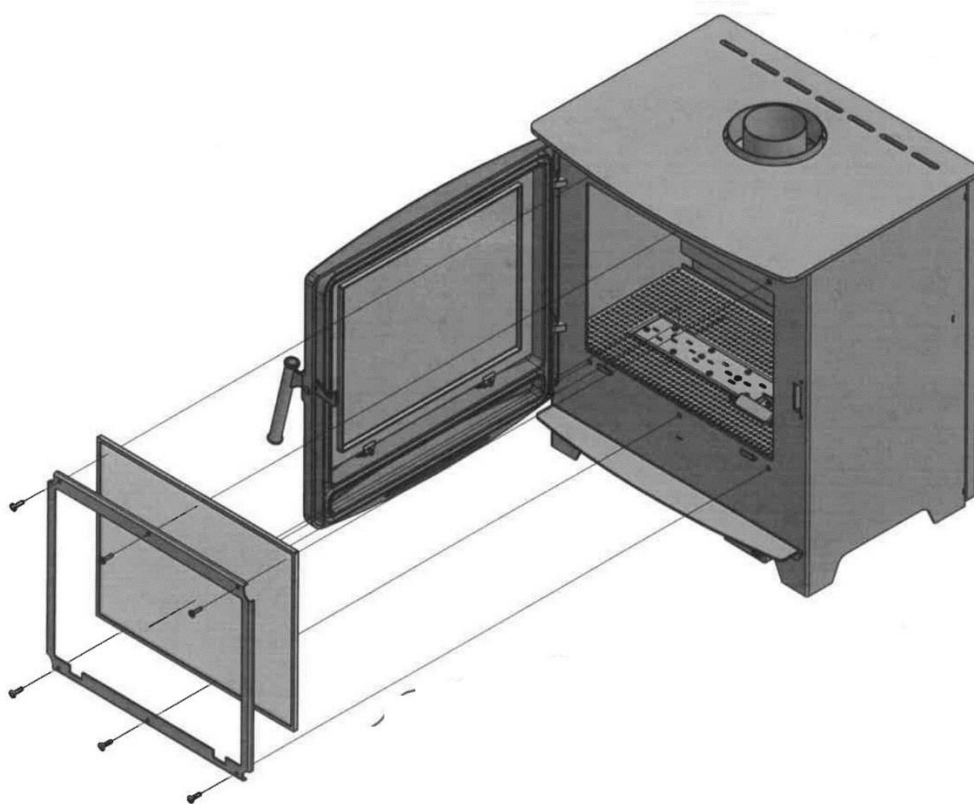
The picture below shows the GV 60 control valve.



Do not touch this dial as it is motorised and controlled by the remote control unit. **Manually turning it could damage it.**

Please ensure this Dial is fully turned to the **ON** position. If not the remote will not work. When turning to the **ON** position you will hear a click to confirm it is locked in the **ON** position.

Removing the Inner Glass and Seal to Access the Firebox



Instructions on how to Remove and Refit the Inner Glass

To access the fire box you need to open the cast door using the handle

Then you will see a steel frame with 6 x M5 flange screws in it, this holds on the piece of ceramic glass which actually forms the seal of the gas firebox. Remove the 6 x M5 flange screws and take off the outer metal frame, the glass then sits in two small lugs at the bottom, lift the glass up gently out of the 2 x holding lugs

Please note the glass has a heatproof fibre gasket fitted all of the way round it on both sides please make sure this is not damaged in anyway

Once the glass has been removed you can then lay the ceramic embers and logs as per the instructions

Re-fit the glass in the reverse sequence but making sure the 6 x M5 flange screws are not over tightened otherwise you will crack the glass when it get hot, they just need to be hand tight to form an airtight seal

Please make sure any fingerprints are wiped off the inside and the outside of the glass otherwise they will mark the glass permanently

When the stove is first lit the glass will form condensation on the inside and that will clear after about two minutes

3.5 Flue Connection

3.5.1 General notes

This appliance may be installed with a roof terminal (C31) or a wall terminal (C11).

This appliance may only be used with 100/150 sized Balanced Flue (otherwise known as Concentric Flue) parts as specified by AGA Stoves. The AGA Stoves specified flue parts have been approved with the appliance. If the appliance is installed on non-AGA Stoves approved parts, AGA Stoves cannot guarantee or accept any responsibility for the proper and safe working of the appliance. This will also void all warranty cover

The flue system must be constructed from the appliance vertically upwards from the top of the stove or horizontally out of the rear of the stove, with all joints being fully locked and sealed using the AGA Stoves specified parts.

This stove can be flued out of the rear of the stove or out of the top of the stove, the 2 x flue collars are supplied loose and the installer needs to fit them as per the following instructions, it is very important that the following instructions are adhered to

PLEASE NOTE - ONLY AGA APPROVED FLUE CAN BE FITTED TO THIS STOVE

The Approved AGA Flue Collars – Manufactured in Stainless Steel – these are supplied loose inside the fire box of the stove

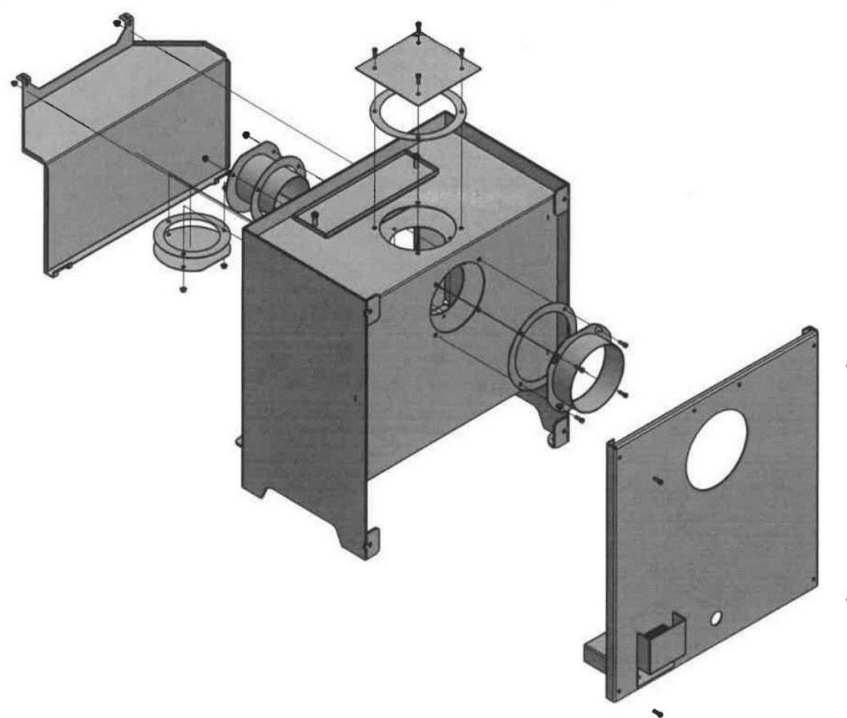


Inner Flue Collar is 100mm outer diameter, it is supplied in the firebox, the seal has been fitted to it already – please make sure there is no damage to the flue seal. This flue collar allows the exhaust gases to be removed from the stove



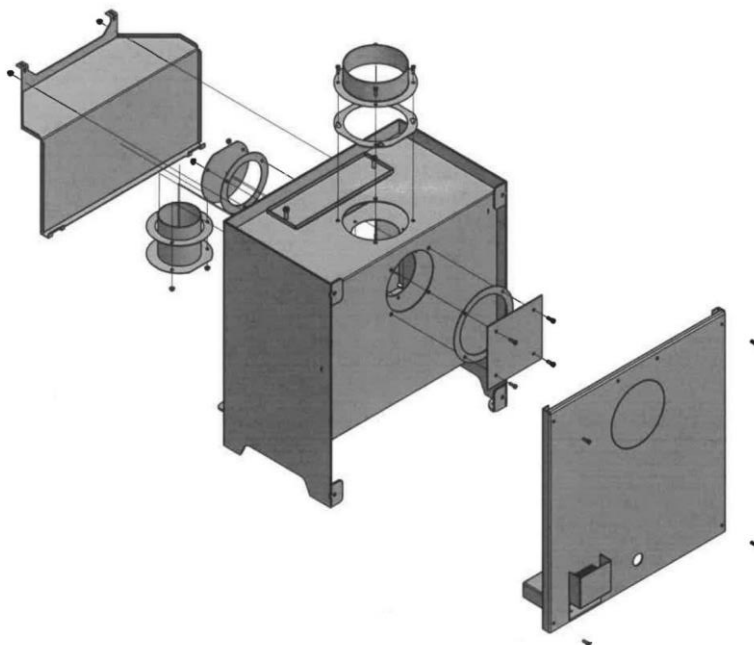
The Outer Flue Collar is 150mm outer diameter, it is supplied in the firebox, the seal has been fitted to it already – please make sure there is no damage to the flue seal. This flue collar allows the fresh air to be delivered into the stove

Fitting the Flue to the stove for a Rear Exit Configuration – (Horizontal Flue)



- 1 - Lift off lid and store in a safe place.
- 2 - Unscrew M5 cap screws (QTY x 4) and remove back panel and store in a safe place, knock out the steel centre for the flue collars and pipe if using the rear exit
- 3 - Unscrew M5 flange screws (QTY x 6) remove front glass and frame and store in a safe place
- 4 – Fit the air inlet blanking plate and gasket, this can now be accessed from the top of the fire (M5 x 16mm cap screws x QTY 4) screw down tight, but do not overtighten
- 5 - Unscrew M5 flange nuts (QTY x 2) from the inside at the top of the fire and carefully remove the inner heat shield, replace this inner heat shield once you have completed step 8 – **this must be replaced back into the firebox on completion**
- 6 – Fit the exhaust blanking plate & gasket to the top opening this can be accessed from the inside top of the firebox (M5 flange nuts QTY x 3) screw up tight but do not overtighten
- 7– Fit the exhaust flue collar & gasket (100mm Diameter) into the rear of the stove, this can be accessed from the inside rear of the firebox (M5 flange nuts QTY x 3) screw up tight
- 8 – Fit the air inlet flue collar and gasket (150mm Diameter), this can be accessed from the rear of the fire (M5 cap screws QTY x 4) screw up tight
- 9 – Refit the parts as per the following steps in reverse for the above make sure the firebox is air tight on all of the seals for the 2 x flue collars and front glass

Fitting the Flue to the stove for a Top Exit Configuration (Vertical Flue)



- 1 - Lift off lid and store in a safe place.
- 2 - The air inlet flue collar and gasket (150mm diameter) can now be accessed from the top of the fire (M5 x 16mm cap screws x QTY 4)
- 3 - Unscrew M5 flange screws (QTY x 6) remove front glass and frame and store in a safe place
- 4 - Unscrew M5 flange nuts (QTY x 2) from the inside at the top of the fire and carefully remove the heat shield replace this inner heat shield once you have completed step 8 – **this must be replaced back into the firebox on completion**
- 5 - The exhaust flue collar & gasket (100mm diameter) can be accessed from the inside top of the fire (M5 flange nuts QTY x 3)
- 6 - The exhaust blanking plate & gasket can be accessed from the inside rear of the fire (M5 flange nuts QTY x 3)
- 7 - Unscrew M5 cap screws (QTY x 4) and remove back panel and store in a safe place
- 8 - The air inlet blanking plate and gasket can be accessed from the rear of the fire (M5 cap screws QTY x4)
- 9 – Refit the parts as per the following steps in reverse for the above make sure the firebox is air tight on all of the seals for the 2 x flue collars and front glass

Please note the stove is supplied with the air inlet and exhaust outlet blanking plates fitted to the rear of the stove. So the 2 x flue collars (supplied loose) would be fitted to the top of the stove for a vertical flue kit to be installed

Pictures of Top Exit Flue Collar Fitted with Top Lid Removed & the Relief Valve Flap (RVF)



Picture showing inner only 100mm exhaust flue collar fitted for top exit to firebox & Relief Valve Flap



Picture showing both inner & outer flue collars fitted for top exit & RVF

Please Note – The Relief Valve Flap (RVF) is fitted on the top of this stove, please make sure this moves freely up and down on the 2 x dowel pins either side, please check that the ceramic white gasket is intact and the Relief Valve Flap (RVF) is fully down on the top of the stove and making an air tight seal. This Relief Valve Flap (RVF) is held down and in place by its own weight only – **do not place any object on top of the RVF – shown with the WHITE DOT**

3.5.2 Timber Frame Construction

Whilst it is possible to install room-sealed appliances in timber frame properties, great care needs to be taken to ensure that the flue assembly does not interfere with the weather proofing qualities of any outer wall which it may penetrate. Before attempting this work, further details need to be referenced, (e.g. “Gas Installations in Timber Frame Buildings” from the GAS SAFE installer series in the UK).

3.5.3 Carport or Building Extension

Where a flue terminal is sited within a carport or building extension, it should have at least two completely open and unobstructed sides. The distance between the lowest part of the roof and the top of the terminal should be at least 600mm.

Note: A covered passageway should not be treated as a carport. Flues should not be sited in a covered passageway between properties.

3.5.4 Basements, Light wells and Retaining walls

Flue terminals should not be sited within the confines of a basement area, light well or external space formed by a retaining wall, unless steps are taken to ensure the products of combustion can disperse safely at all times. It may be possible to install this Balanced Flue system in such a location provided that it is not sited lower than 1m from the top level of that area to allow combustion products to disperse safely.

Flue terminals should be sited to ensure total clearance of the combustion products in accordance with the included information.

When the products of combustion are discharged, they should not cause a nuisance to adjoining or adjacent properties and they should be positioned so that damage cannot occur to other parts of the building. If the outer wall surface is constructed of combustible material, a non-combustible plate should be fitted behind the terminal projecting 25mm beyond the external edges of the terminal.

3.5.5 Terminal Locations.

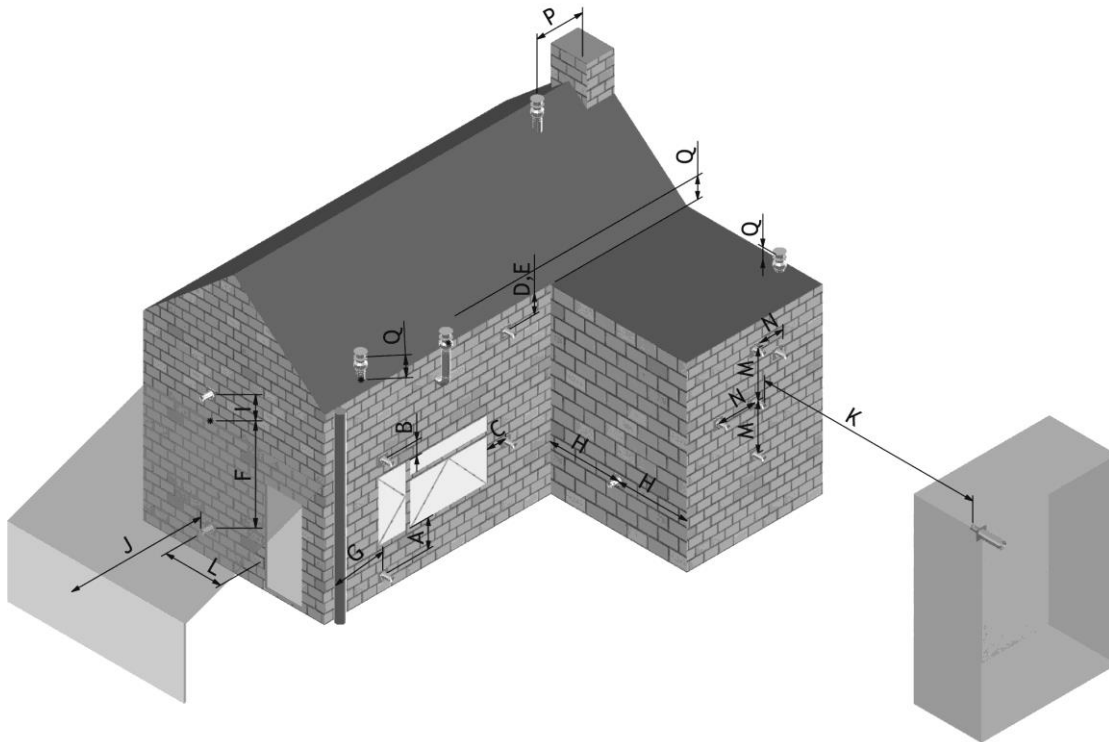


Diagram for illustration purposes only - Not to Scale

Dimension	Terminal Position	Distance (mm)
A*	Directly below an opening, air brick, opening window etc.	600
B	Above an opening, air brick, opening window etc.	300
C	Adjacent to an opening, air brick, opening window etc.	400
D	Below gutters, soil pipes or drain pipes	300
E	Below eaves	300
F	Below balconies of car port roof	600
G	From a vertical drain pipe or soil pipe	300
H	From an internal or external corner	600
I	Above ground roof or balcony level	300
J	From a surface facing the terminal	600
K	From a terminal facing the terminal	600
L	From an opening in the car port (e.g. door , window into the dwelling)	1200
M	Vertically from a terminal on the same wall	1500
N	Horizontally from a terminal on the same wall	300
P	From a vertical structure on the roof	600
Q	Above intersection with roof	150

A* In addition, the terminal should not be nearer than 300mm to an opening in the building fabric formed for the purpose of accommodating a built in element such as a window frame.

Flue Systems

The Ellesmere range of balanced gas stoves are approved only for use with the AGA approved 100/150 concentric flue system

The AGA approved flue is manufactured by Poujoulat under the Duo Gas 100/150 range of Stainless Steel concentric flues and is available in Matt black finish or Stainless Steel finish

AGA has put together the following 4 X Flue kits in association with Poujoulat

Flue Kit Ref:	Contents: see overleaf for full details	AGA Part Number
Flue Kit 1 – Black Finish	450mm flue pipe, 90° elbow & horizontal terminal	AE4M531083
Flue Kit 1 – S/Steel Finish	450mm flue pipe, 90° elbow & horizontal terminal	AE4M531084
Flue Kit 2 – Black Finish	450 & 950mm flue pipe, 90° elbow & horizontal terminal	AE4M531085
Flue Kit 2 – S/Steel Finish	450 & 950mm flue pipe, 90° elbow & horizontal terminal	AE4M531086
Flue Kit 3 – Black Finish	Snorkel terminal flue pipe adjustable – Rear Exit Only	AE4M531087
Flue Kit 4 – Black Finish	Renovation kit - to fit into an existing Chimney opening	AE4M531088

These kits can either be purchased directly from AGA Spares or directly from Poujoulat. The AGA version has been manufactured in stainless steel & painted black in line with the finish on the stoves

All of the AGA Ellesmere balanced flue gas stoves are fitted with flue collars to fit the Poujoulat 100/150 Duo gas system. Please do not attempt to fit other concentric flue pipes to this flue collar as they will not be a perfect gas tight match. This will void any warranty and would be deemed as an unauthorised installation by AGA and would not meet Building Regulations requirements. Only a registered Gas Safe engineer can install the AGA stove and flue system

The Poujoulat black is the nearest black colour match to the AGA heat proof paint used on the stoves. Please note there can be slight colour and shade variances between the stove and the flue

3.5.6 Horizontal Wall Vent Termination type C₁₁

Flue sizing: Ø100/150 Flue Connector on Appliance is only for Poujoulat Duo Gas

Maximum pipe extension, for outside wall (H) = 1 X Vertical Pipe Rise (V).

Maximum Permissible run (H) see table below.

Vertical Flue Rise (V) metres	Max. Horizontal Flue Run, (H) m for Ø100/150 flue
0.5	0.5
1	1
1.5	1.5
2	2
2.5	2.5
3	3
3.5	3.5
4	4
4.5	4.5
5	5
5.5	5.5
6.5	6.5
7	7
7.5 and over	7.5

Minimum Vertical Flue Height: 0.5m

AGA Flue Kit 1

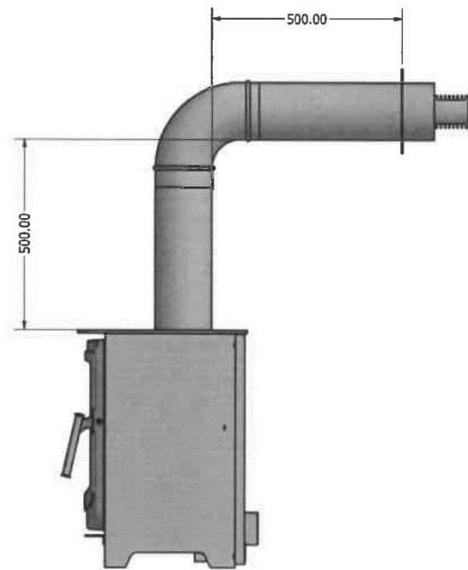
Flue Kit 1 – Consists of the following:

- 450mm Concentric Flue Pipe
- 90° Swept Elbow
- Horizontal Flue Terminal is adjustable in length from 360mm to 630mm

AGA Part Numbers:

AE4M 531083 - Matt Black Finish (RAL 9030)

AE4M 531084 - Stainless Steel Finish



Please Note – The Maximum length of the Horizontal Terminal is 500mm as per the drawing opposite

AGA Flue Kit 2

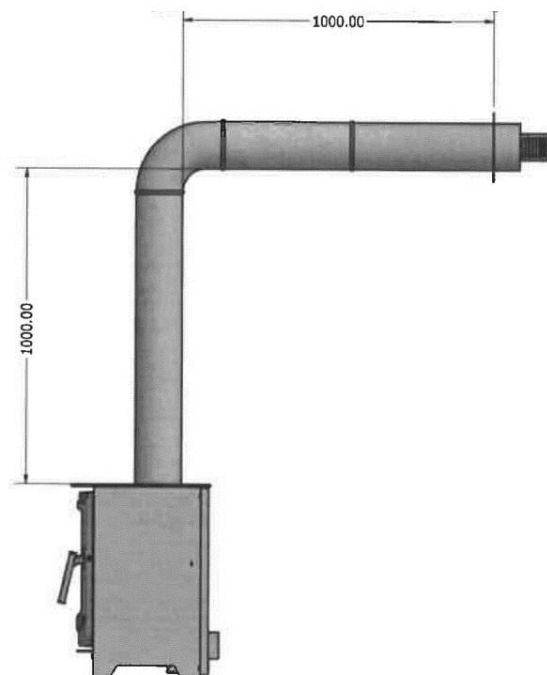
Flue Kit 2 – Consists of the following:

- 950mm Concentric Flue Pipe
- 450mm Concentric Flue Pipe
- 90° Swept Elbow
- Horizontal Flue Terminal is adjustable in length from 360mm to 630mm

AGA Part Numbers:

AE4M 531085 - Matt Black Finish (RAL 9030)

AE4M 531086 - Stainless Steel Finish



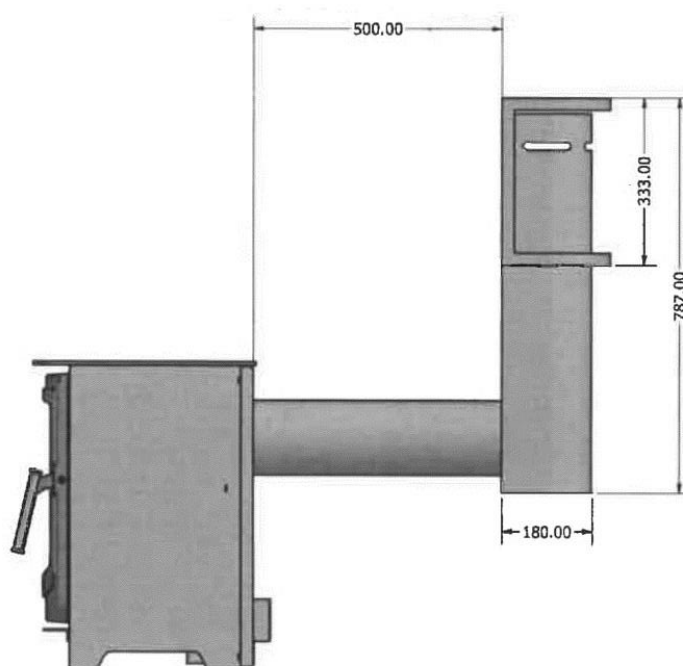
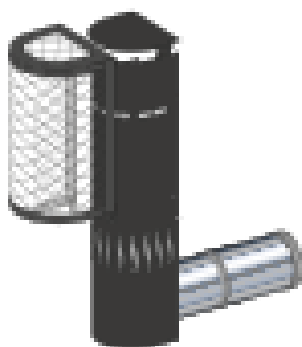
Please Note – The Maximum length of the Horizontal Terminal is 1000mm as per the drawing opposite

Flue Kit 1 and 2 can only be used when fitting the stove to an outside wall –these kits do not include external wall baskets however they must be fitted to protect the end of the flue terminal

All Diagrams for illustration purposes only - Not to Scale

To Order Flue kits please email Spares@agastoves.org.uk or ring Poujoulat on 01483 461700

AGA Flue Kit 3 – Rear Exit



Please Note – The Maximum length of the Horizontal flue is 500mm as per the drawing above

Diagram for illustration purposes only - Not to Scale

Flue Kit 3 – Consists of the following:

- Snorkel Terminal Flue Pipe – Horizontal flue is adjustable in length from 350mm to 550mm

Use only for rear exit installation on an outside wall

AGA Part Number:

AE4M 531087 - Matt Black Finish (RAL 9030)

Only available in Matt Black

This rear kit is called a Snorkel, this can only be used when the stove is being fitted to an outside wall, the horizontal pipe can be no longer than 500mm long (this pipe is telescopically adjustable)

For this you need to fit the 2 x flue collars onto the rear of the stove, and move the 2 x blanking plates to the top of the stove, you will also need to order from spares a blanking plate for the top plate lid of the stove

To Order Flue kits please email Spares@agastoves.org.uk or ring Poujoulat on 01483 461700

3.5.7 Vertical Roof Vent Termination C₃₁

Flue sizing: Ø100/150 Flue Connector on Appliance is for Poujoulat Duo Gas only

Minimum Vertical Flue Height: 0.5m

Maximum Vertical Flue Height: 15m

Flue calculations when using elbows (0-90° permissible), total flue length maximum = 15m and each bend will equate to ½m, Vertical rise (V) must be at least twice the Horizontal run (R), i.e. $V=2H$ (or $H/V \leq \frac{1}{2}$).

Flue Kit 4 – Renovation Kit to Fit into an Existing Chimney Configuration

Flue Kit 4 – Consists of the following:

- Insert Vertical Terminal (Rain Cap)
- Pot Hanger for Insert Vertical Terminal to fit onto
- Register Plate & Adjustable Concentric Flue Pipe, which is adjustable in length from 390mm to 640mm

AGA Part Numbers:

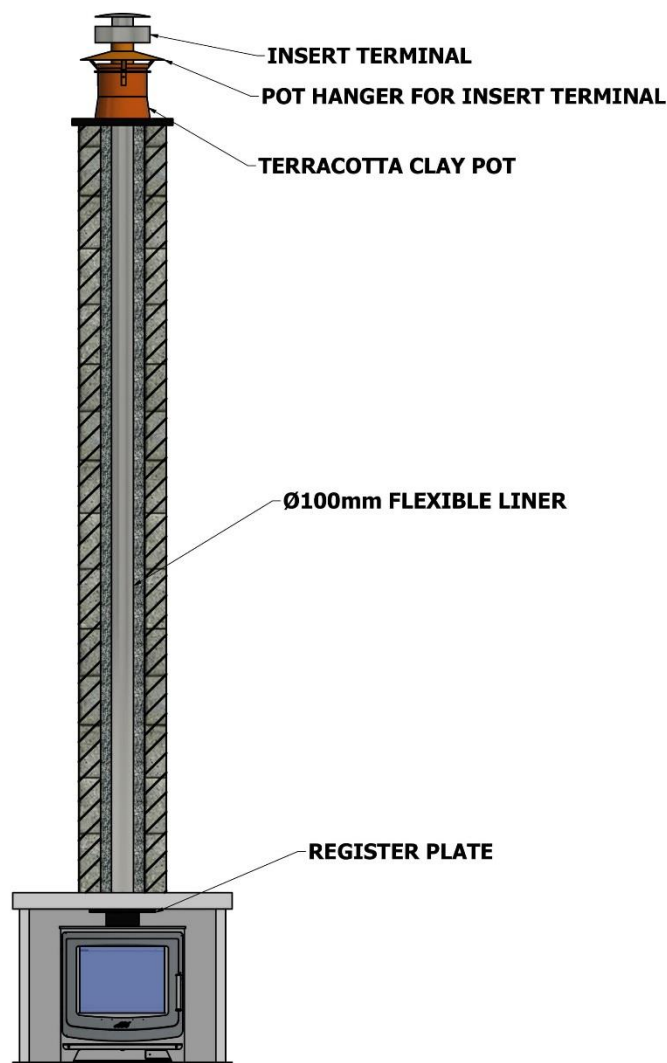
AE4M531088 - Matt Black Finish (RAL 9030)

Pot Hanger comes painted orange to match the clay chimney pot on your roof

PLEASE NOTE –

THIS KIT DOES NOT INCLUDE THE 100MM DIAMETER STAINLESS STEEL (GRADE 316 OR HIGHER) FLEXIBLE LINER. YOU CAN PURCHASE THIS SEPARATELY TO THE REQUIRED LENGTH OF YOUR CHIMNEY

If the 100mm flexible liner is not supplied from AGA/Poujoulat please make sure the one you install forms an air tight seal on the Register Plate



This kit will allow you to install your Ellesmere Balanced gas flue stove into an existing fireplace and use your existing chimney – please note your chimney must be in a good condition for this system to be fitted and fully swept and cleaned before installation, the minimum internal dimension of your chimney must be at least 150mm diameter from the top to the bottom

Diagram for illustration purposes only - Not to Scale

To Order Flue kits please email Spares@agastoves.org.uk or ring Poujoulat on 01483 461700

Fitting Batteries into the Battery Box & Connecting to the Stove

Item 1



Connecting the Battery Box

Item 1 - Take out the small Philips screw and slide the lid off

Item 2



Item 2 - Place in the 4 x AA batteries supplied please note only use Duracell Alkaline batteries - **Do not use rechargeable batteries**

Item 3



Item 3 - The Male jack plug on the end of the battery pack will now plug into the female socket which is in the bottom of the battery pocket at the rear of the stove

Please ensure the battery box is turned to the **ON** position with the slider switch at the top. When in the ON position you will hear the controller beep once

Item 4



Item 4 – Place the battery pack back into the holder at the rear of the stove

When the battery box is fitted please do not put batteries into the receiver which is in a heatproof silver pocket under the stove as this will cause permanent damage to the receiver and void your warranty

The battery box is easily removed, and is on a 500 mill long extension cable but when you need to change the batteries on an annual basis just lift the battery box out, disconnect the battery box using the male and female jack plug socket and then change the internal 4 x AA batteries replace the screw and lid correctly and reconnect

3.6 Fuel Bed Arrangements.

When arranging the Media into the Firebed, it is important that the Pilot area is kept clear and that no Media enters the Pilot shield. The Pilot area includes the pilot shield and the top of the burner to the first slot inside the fence of the pilot shield.

When commissioning or servicing the Appliance Cross Lighting must be checked to ensure smooth lighting of the main burner from the Pilot Flame



Ceramic Log 1



Ceramic Log 2



Bag of Ceramic Shale – to be laid on the Burner Grate



Ceramic Log 3



Ceramic Log 4



Ceramic Log 5

Please make sure the correct logs are laid in the correct order as per the instructions

Only use AGA Logs on this Stove

Please note – If the logs are not laid as per the instructions the overall efficiency performance and flame pattern of this stove will be greatly effected. If additional or Non approved AGA Logs are added to this stove it will void your warranty

3.6.1 ECG Ellesmere Gas Stove – Log Layouts



Scatter the bags of Embers over the top of the burners as shown, keeping the pilot area clear **as marked in the white circle**

Pilot and Cross Over Light area must be left clear of embers and logs otherwise this will prevent the stove from lightening correctly



Position Ceramic Log 1 at the rear of the silver burner tray as per the picture



Position Ceramic Log 2 so it sits on top of Log 1 as per the picture



Position Ceramic Log 3 so it sits on top of Log 1 to the Left Hand side of log 2 as per the picture



Position Ceramic Log 4 so it sits on top of Log 1 to the Right Hand side of log 2 as per the picture



Position Ceramic Log 5 so it sits in the middle of Log 2 and Log 4.
But make sure it is not too close to the thermocouple and pilot light guard as this can prevent the lighting of the stove

3.7 Commissioning the Appliance

3.7.1 Pilot Ignition Check

1. Ignite the pilot light as described in the User Instructions
2. Check that the pilot flame stays alight
3. Extinguish the pilot light

3.7.2 Main Burner Check

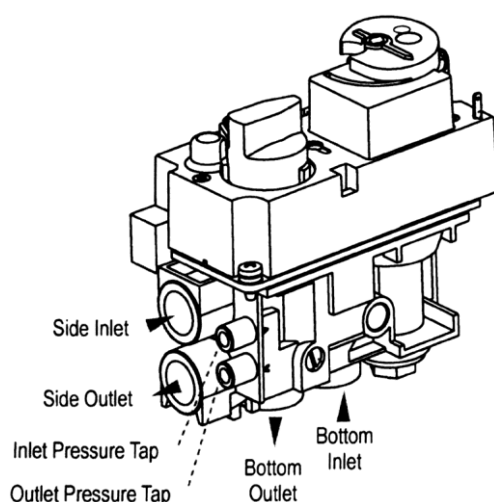
1. Ignite the pilot light as described in the User Instructions
2. Turn on the main burner as described in the User Instructions
3. Check that the pilot smoothly cross-lights to the burner and that the main burner & pilot stay alight
4. Extinguish the appliance fully

3.7.3 Pressure Check

The appliance is pre-set to give the correct heat inputs as listed in the technical details. No further adjustment is necessary. Always check the inlet pressure and burner on hot and cold pressure. DO NOT ATTEMPT TO ADJUST THE PRESSURES ON THE VALVE THIS WILL VOID YOUR WARRANTY

1. Turn off the gas valve on the appliance
2. Release the screw on the Inlet Pressure test point on the gas valve and connect a manometer
3. Check that the measured pressure is as the prescribed supply pressure
4. Perform the test when the appliance is burning on full (High Flame) and with only the pilot alight
5. If the pressure is low, check the gas supply pipes are to a correct sizing
6. If the pressure is too high (more than 5 mbar over) the appliance may be installed, but the gas supply company should be contacted
7. Release the screw on the Burner Pressure test point on the gas valve and connect a manometer
8. Check that the measured pressure is as detailed in the Technical details
9. The measured value should be within +/- 5% of the described value. If this is not the case, please contact the supplier.

Note: After checking the pressures and removing the manometers, the screws in the Pressure Test points must be closed, and the system must be checked for gas-tightness.



Pressure Check – It is important to carry out a pressure check on the appliance. There are 2 test points on the side of the valve. The first is the **Inlet Pressure**, the second is **Outlet/Burner Pressure**.

These screws need to be “opened” (approx 1 turn but not removed) before putting the tube of the manometer on. Both these screws must be fully tightened (“closed”) when the manometer is removed. Shown on your picture as Inlet and Outlet Pressure Tap.

When opening these test points the room must be well ventilated and no naked flames or sparks are to be near the stove. You must fully leak test the valve after commissioning

Receiver/Controller Unit



Picture 1 – Shown Receiver / Controller Unit

The receiver which is the controller for the stove is the black box with wires going into it and it is held in place inside a heatproof silver pocket at the rear of the stove, directly behind the battery box holder

Only the Gas Safe engineer needs to remove this receiver unit if required

The receiver has a wiring loom connected to it which goes back to the GV60 control valve underneath the burner unit

If the engineer needs to remove the receiver unit please be careful that none of the small multi plugs are pulled out from either the receiver or the GV 60 control valve

PLEASE NOTE – DO NOT FIT BATTERIES INTO THE RECEIVER UNIT, AS THIS WILL DAMAGE IT PERMANENTLY AND VOID YOUR WARRANTY



Picture 2 – Showing receiver unit being fitted into the Heat shield pocket – be careful not to pull any wires out of their multi-plug sockets as shown in the white circles



Picture 3 – Showing the receiver unit fully fitted into the Heat Proof pocket holder



Pictures shows receiver unit with the Battery lead jack plug fitted – see white circle

4. Servicing

Turn the appliance OFF and isolate the gas supply. Ensure the appliance is fully cold before attempting to start servicing the appliance. No liability can be accepted by AGA Stoves for injury caused by burning or scolding by a hot appliance.

A suggested only procedure for servicing is listed below.

- A. Lay out dust sheet on flooring, mask off any special fireplace materials.
- B. Open Outer Firebox Door and remove inner glass panel
- C. Carefully remove the Ceramic components (including Embers)
- D. Use a Vacuum cleaner to clean the top of the burners and grate
- E. Remove Grate
- F. Use the vacuum cleaner and a soft brush to clean the pilot assembly and Injectors. It may be easier to access the Injector by removing the Throttle. Never modify or bend the Thermocouple.
- G. Clean the Window Panel.
- H. Turn on the gas supply and check for leaks, check the burners and Pilot for good condition and operation
- I. Replace the Grate front and back
- J. Replace the Fire bed arrangements as per the approved layout
- K. Check inner glass seal, replace if damaged, replace glass frame, do not over tighten the screws
Close door. – please ensure no finger prints are on the glass
- L. Check the flue system and terminal, making sure that the terminal vent is fully clear
- M. Light the appliance and test setting pressures
- N. Check the safe operation of the appliance.

4.1 Cleaning the Ceramics

Remove the ceramics as detailed in A - E above.

Gently clean the ceramics in the open air, using a soft brush and a vacuum cleaner. Where necessary replace damaged components only with genuine AGA Stoves specified parts. Seal any scrap ceramics in plastic bags and dispose of at a proper refuse site. When using a vacuum cleaner, it is recommended that one with a HEPA filtering system is used. The ceramic Log set & Embers contains RCF's

Re-fit the Fire bed arrangement, re-seal the appliance and check the safe operation of the appliance.

4.2 Servicing the Burner

A fault finding chart is included in the appendix for the control system fitted to this appliance.

Access the Burner as detailed in A - F above.

The pilot is now clearly visible, the pilot, including the Thermocouple, can be replaced/serviced by removing raising the pilot assembly from its mounting. This is done by removing the two screws on the surface of the pilot. The fittings on the under-side of the pilot can be un-done using a 10mm spanner where appropriate.

The Main Burner Injector can be accessed from the underside of the appliance. If the burner needs to be removed, this may be done by removing the 4 x M6 fixings inside the firebox (10mm Spanner), the burner will lift out through the Firebox as one complete unit

The receiver/controller unit is fitted into a heatproof box at the rear of the stove, when removing it be careful not to damage the wiring loom or any of the multi plugs. The battery lead can be removed

THE STOVE IS FITTED WITH AN EXTERNAL BATTERY PACK DO NOT FIT ANY BATTERIES INTO THE RECEIVER UNIT, AS THIS WILL CAUSE PERMANENT DAMAGE WHICH IS NOT COVERED BY YOUR WARRANTY

When replacing any parts use only original AGA Stoves specified parts.

Ellesmere Natural Single Burner

Gas Type	Natural Gas - (G20, I2H & I2E)
Supply Pressure	20 mbar
Nominal Heat Input Gross (Hs)	6.0 kW
Nominal Heat Input Nett (Hi)	5.4 kW
Consumption	0.56 m ³ /hr
Burner Pressure (Hot)	14.0 mbar
Pilot	446.1385.44
Efficiency Class	1
Nox Class	5

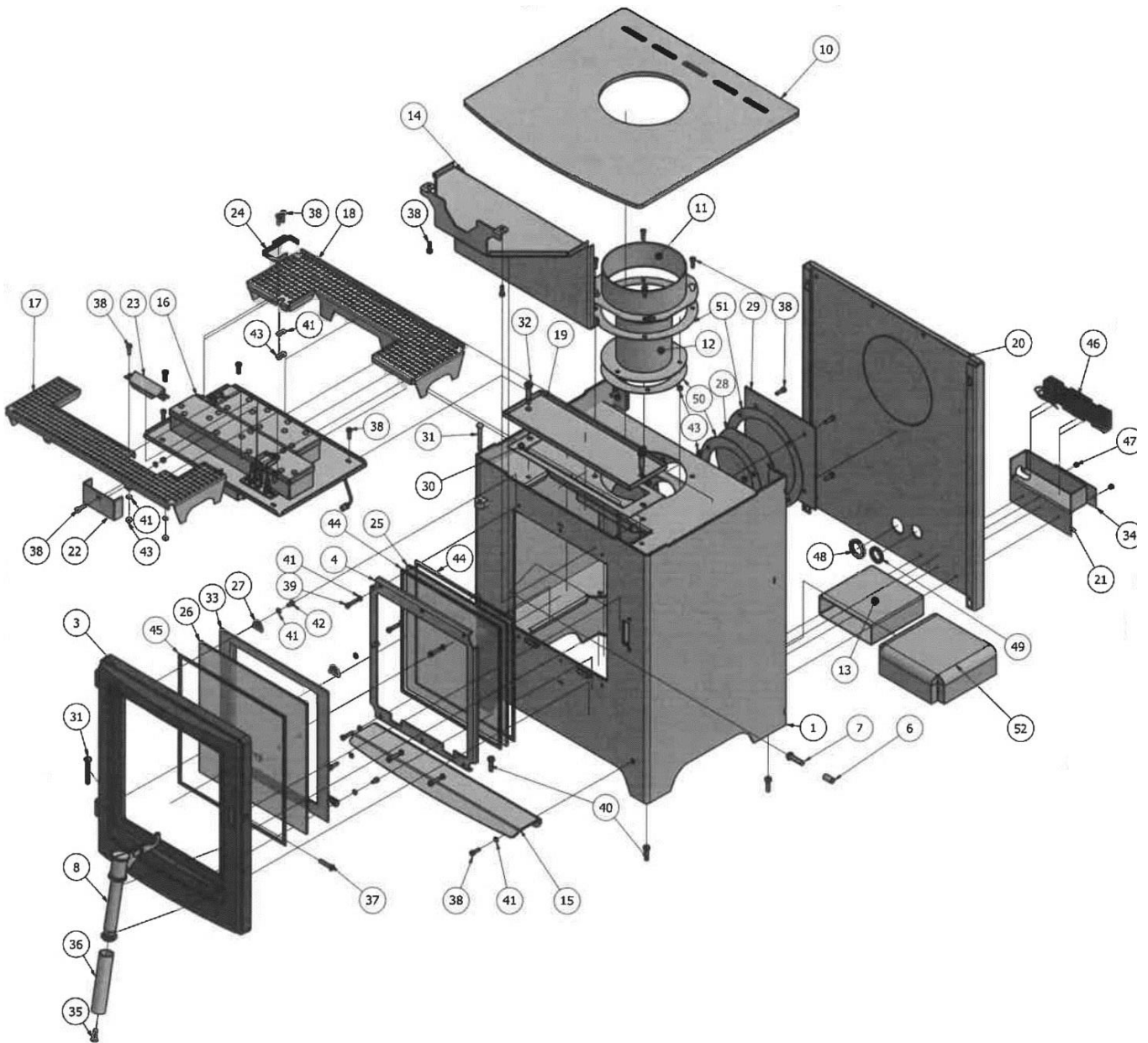
Using the AGA Mertik GV60 valve and G9R Remote

- Maximum High Heat Output 4.37 kW

This CE plate is found at the back of the stove at the bottom

The Aluminium serial plate for the stove is found if you open the front door and it is on the left hand side above the bottom hinge mount. It is a small aluminium plate with a number printed onto it

5.1 Exploded View



5.1 Parts List Details

REF NO	QTY	DESCRIPTION	REF NO	QTY	DESCRIPTION
1	1	GA5-01 Main Stove Body	27	4	Glass Clip
2	2	N/A	28	1	100mm Blanking Plate AGA
3	1	AGA Stoves Cast Door	29	1	150mm Blanking Plate AGA
4	1	Inner Glass Frame	30	1	Delayed Ignition Flap Gasket AGA
5	2	Glass Bracket Folding AGA	31	2	Ø6 X 50mm Hinge Pin
6	1	Lock Roller	32	2	M6 X 25mm Ø8mm Shoulder Bolt
7	1	M8 x 30mm Dome Socket Screw	33	1	A5 G Glass Inner Frame
8	1	AGA Cast Handle	34	1	CE Plate
9	1	N/A	35	1	M6 x 20mm Countersunk Socket Screw
10	1	Stove Lid	36	1	AGA Cast Handle Sleeve
11	1	150mm - Air Inlet Flue Collar	37	1	M6 X 30mm Countersunk Socket Screw
12	1	100mm – Exhaust Outlet Flue Collar	38	21	M5 X 15mm Cap Socket Screw
13	1	Control Box Housing	39	10	M5 X 20mm Cap Socket Screw
14	1	Inner Removable Baffle Plate - Lift out	40	4	M6 X 20mm Cap Socket Screw
15	1	Front Shelf	41	23	M5 Spring Washer
16	1	A5 Burner Assembly – Metalwork Only	42	4	M5 X 8mm Cap Socket Screw
17	1	A5 G Grate B - Front	43	11	M5 Nut
18	1	A5 G Grate A - Rear	44	2	A5 G Glass Gasket
19	1	Delayed Ignition Flap Folding AGA	45	1	A4 Glass Gasket
20	1	GA5 Rear Heat Shield	46	1	4 x AA Battery Holder
21	1	Battery Housing	47	2	Ø3.2 X 6mm Steel Rivet
22	1	Z5 Pilot Shield Lower	48	1	N/A
23	1	Z5 Pilot Shield Upper	49	1	N/A
24	1	5G 2T Thermocouple Guard	50	2	100mm Flue Seal AGA 100mm
25	1	A5 G Inner Glass Panel	51	2	100mm Flue Seal AGA 150mm
26	1	A4 Door Glass Panel	52	1	Insulating Wrap

Gas Burner & Controller - Spare Parts

Part No	QTY	DESCRIPTION	Part No	QTY	DESCRIPTION
70001	1	Ceramic Log Pack	70010	1	Injector LPG
70002	1	Ember Pack	70011	1	Injector Natural
70003	1	Remote Handset	70012	1	Thermocouple
70004	1	Receiver Controller Unit	70013	1	Electrode Lead
70005	1	Gas Valve GV60 Assembly LPG	70014	1	Electrode
70006	1	Gas Valve GV60 Assembly Natural	70015	1	Pilot Assembly LPG
70007	1	Complete Burner Assembly LPG	70016	1	Pilot Assembly Natural Gas
70008	1	Complete Burner Assembly Natural	70017	1	GV60 Wiring Loom
70009	1	AGA Approved Mains Adapter	70018	1	Battery Box
			70019	1	500mm 12v Extension Lead for Battery box

5.2 Warranty Details

AGA Stoves - Balanced Flue Gas Stove – 2 Year Warranty

It's important to know what requirements need to be met in order to qualify for our 2 year warranty, as well as being aware of exactly what it covers. This warranty only applies to our gas balanced flue stoves.

If you have purchased your stove from an authorised stockist within our Premium Retailer Network, then automatically your product will carry a 2 year warranty. The start date for the warranty period is the date of purchase. You do not need to register your stove for the warranty to apply, but you must retain your proof of purchase from the AGA retailer, which must have your name, address and the date of the purchase. Then from the serial number on your stove we can then action your warranty, you must have the stove serviced every 12 months and keep the service receipt for the warranty to be valid. Any product purchased outside of our Premium Retailer Network will carry a standard 12 month, non-extendable warranty.

It is a condition of the Warranty that the installation complies with relevant Building Regulations and the rules in force, and is carried out by a suitably trained and qualified individual Gas Safe registered in the United Kingdom (or equivalent in other countries) with a certificate of installation and the appropriate commissioning report completed and retained by the end-user. Please refer to Appendix 1 & 2 overleaf

It is also a condition of the Warranty that your AGA Stove is regularly serviced (every 12 months) by a suitably trained and qualified individual, Gas Safe registered in the United Kingdom (or equivalent in other countries). Records and receipts of annual services will be required in the event of a warranty claim during the period of the warranty.

This warranty is not transferable, and solely for, the benefit of the original purchaser of the stove. Please retain your dated sales receipt as a proof of purchase.

During your warranty period, only genuine AGA spare parts must be used in the servicing and maintenance of your stove, these spare parts can be ordered via the Premium Retailer directly.

Consumable items such as glass, paint, grate parts, log retainers, thermocouples, pilots lights, igniters, ceramic fuel effects, internal linings, batteries and rope seals which are either subject to normal wear and tear or parts that require replacement in connection with normal maintenance are not covered, either by the Warranty. The Flue system is not covered by any warranty from AGA Stoves.

Should you experience problems with your stove, any claim must be submitted first to the Premium Retailer from where the stove was purchased. Your Premium Retailer will either be able to offer immediate assistance or make contact with AGA Stoves on your behalf.

Warranty Exclusions and Limitations

No Warranty is extended to consumable service parts. Repair or replacement of parts which are subject to normal wear and tear during the warranty period or parts that will require replacement in connection with normal maintenance. Such parts include but are not limited to glass, paint, rope seals, grate parts, log retainers, thermocouples, pilots lights, igniters, ceramic fuel effects, batteries and internal linings.

The AGA Stoves Warranty does not cover:

- a) In normal usage the paint finish of your AGA Stove may change colour slightly. As these circumstances are considered normal, they are not covered by the warranty. The stove paint must be cured as detailed in this manual
- b) Enamelled components where these parts are subjected to abnormally high temperatures, chemical abrasion or thermal shocks, resulting in chipping, cracking, bubbling or discolouration and crazing of the enamelled finish.

c) Damage resulting from installation and usage where the appliance has not been installed or used in accordance with the AGA Stoves installation and operation instructions, or if the installation does not conform to local building, fire and safety regulations. This includes the entire flue system whether purchased from AGA Stoves or not

d) Defects or faults caused by specific local conditions such as draught problems, water damage, condensation and chimney defects.

e) The Warranty does not cover damage caused by over-firing of the appliance. (Please see your Installation and Operating Instructions for further information)

f) The entire flue system

g) Misuse of the remote control including water/liquid/heat damage

h) Damage caused by unauthorised modifications, use or repair.

i) Damage or defects caused by the product being stored in a damp, unheated environment.

j) Consequential loss (to the extent permitted by law) relating to other associated products that have not been supplied by AGA Stoves.

k) Consequential loss (to the extent permitted by law) related to decorations, furnishings or other household assets.

l) Delivery to/or return transport costs. Removal and re-installation costs, or any labour cost to fit parts. Repaired or replaced products are covered only for the remainder of the original warranty period. If you should ever wish to make a warranty claim because of a product fault or defect, you must inform your retailer within a reasonable amount of time, this is within 14 days from the date on which the fault or defect first became apparent. If the product fault or defect is notified after 14 days from the date on which the fault or defect became apparent, AGA Stoves cannot accept any liability for events or issues which arise after the 14 day period or which are caused or increased by the lack of notification which therefore prevented action being taken to restrict or eliminate any consequences arising from the fault or defect at an earlier date.

M) Takes no responsibility for incorrect batteries being used, damage to the connectors when fitting the batteries or leaking batteries or any damage to the remote control or the valve because of leaking batteries or damaged connector.

N) Any foreign bodies found in the Gas Control Valve – including Brick Dust

In the event of a product fault occurring during the warranty period, AGA Stoves will send the appropriate component or goods necessary to rectify the fault, free of charge, but does not cover any labour cost to fit them.

Nothing in the Warranty shall make AGA Stoves liable for any or special, incidental or consequential damages, injury to persons or property, or any other consequential loss beyond the consumer's statutory rights. The liability on these issues is covered by AGA Stoves Terms and Conditions of Sale.

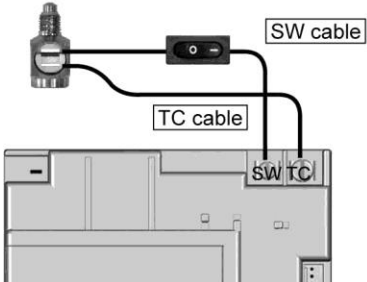
AGA Stoves' total liability extends only to the purchase price paid for the goods by the Premium Retailer, The AGA Stoves Warranty does not affect your statutory rights.

The above warranty terms and conditions came into effect on 1st January 2013 and are applicable for all relevant products purchased after this date.

Please note: This warranty is applicable for purchases within the United Kingdom and the Republic of Ireland

Appendix 1 - Fault Finding Chart.

FUNCTION	POSSIBLE CAUSE	REMEDY
1. TOUCH PAD/ WALL SWITCH/ SWITCH PANEL START: Press ON Button, Touch pad/wall switch works.	No →	Bent pin. Touch pad, switch panel or cable not operating properly.
		Straighten pin, replace touch pad, switch and/or cable.
1. HANDSET START: Press both buttons to start ignition (IGN) sequence. Beep will occur each second.	No →	Transmitter batteries low.
		Replace transmitter batteries. 9V quality alkaline recommended.
		Receiver batteries low.
		Replace receiver batteries with 1.5V "AA" quality alkaline batteries.
		Optional mains adapter not operating properly.
		Check mains adapter.
		Check coding of transmitter and receiver. (Initial sync.)
	Learn new code (reset). See label on receiver.	
	Transmitter distance limited.	
	1. Straighten the antenna. 2. Replace receiver. See wiring diagram, pg. 6, GV60_II_EN-11.2008.	
	Touch pad, switch panel, or cable not operating properly (in older versions, nonfunctional touch pad blocks the transmitter).	
	Unplug or replace touchpad, switch panel, or cable. See wiring diagram, pg. 6, GV60_II_EN-11.2008.	
	Blown fuse (in older versions only).	
	Replace receiver. See wiring diagram, pg. 6, GV60_II_EN-11.2008.	
OK ↓		
2. Magnet unit is energized (audible thud to detect functionality).	No →	No beep
		Impulse magnet not operating properly.
		Replace gas valve. See "Installation Instructions" pg. 3, GV60_II_EN-11.2008.
	No →	3 short beeps
		Low batteries.
		Replace receiver batteries with 1.5V "AA" quality alkaline batteries.
	No →	1 long beep
		ON/OFF switch in OFF position.
		Switch to ON.
		8-wire cable Off/not operating properly.
	Check 8-wire cable.	
	SW-cable disconnected.	
	Check cable connection. See figure 1 on page 3.	
	Motor not operating properly.	
	Replace gas valve. See "Installation Instructions" pg. 3, GV60_II_EN-11.2008.	
	Micro switch not operating properly.	
	Replace gas valve. See "Installation Instructions" pg. 3, GV60_II_EN-11.2008.	
OK ↓		

FUNCTION	POSSIBLE CAUSE	REMEDY	
<p>3.</p> <p>Spark will occur each second.</p> <p>OK ↓</p>	No →	<p>Ignition components not operating properly.</p> <p>Check connection between cable & IGN-electrode. See wiring diagram pg. 6, GV60_II_EN-11.2008.</p> <p>Check IGN-electrode spark gap. See wiring diagram pg. 6, GV60_II_EN-11.2008</p> <p>Check IGN-electrode. See wiring diagram pg. 6, GV60_II_EN-11.2008.</p> <p>Check IGN-cable for damage. See wiring diagram pg. 6, GV60_II_EN-11.2008.</p> <p>Increase distance between IGN-cable and all metal parts. Shorten IGN-cable if possible or cover, e.g. silicon hose. See wiring diagram pg. 6, GV60_II_EN-11.2008.</p>	
	No →	<p>IGN-sequence stops, no pilot flame. No reaction to transmitter command. (Controller crashes.)</p> <p>Press RESET button. See "Setting the Electronics Code" pg. 2, GV60_OI_EN-11.2008.</p> <p>Add ground wire between pilot burner and valve. See wiring diagram pg. 6, GV60_II_EN-11.2008.</p> <p>Do not coil the IGN-cable.</p> <p>Shorten IGN-cable if possible (no longer than 900 mm). See wiring diagram pg. 6, GV60_II_EN-11.2008.</p>	
	No →	<p>IGN-sequence stops, no pilot flame. Transmitter command is possible.</p> <p>Replace receiver batteries with 1.5V "AA" quality alkaline batteries.</p>	
	<p>4.</p> <p>Pilot lit.</p> <p>OK ↓</p>	No →	<p>TC- and SW-cable reversed.</p> <p>Check connection of cable to receiver and interrupter. See figure 1.</p>
			<p>Magnet unit not operating properly.</p> <p>Replace gas valve or (magnet unit [CE only]). See "Installation Instructions" pg. 3, GV60_II_EN-11.2008</p>
			<p>Short between interrupter and SW-cable.</p> <p>Check connection to interrupter.</p>
			<p>No gas (magnet unit drops after 30 second audible count).</p> <p>Check gas supply.</p>
	 <p>Figure 1</p>		
	<p>5.</p> <p>Sparking stops after pilot is lit.</p> <p>OK ↓</p>	No →	<p>Short between interrupter and TC-cable.</p> <p>Check connection to interrupter. See figure 1.</p>
		<p>Electronic measuring amplifier defective.</p> <p>Replace Receiver. See wiring diagram pg. 6, GV60_II_EN-11.2008.</p>	

FUNCTION	POSSIBLE CAUSE	REMEDY
----------	----------------	--------

6.	Motor turns to main gas and pilot stays lit.	No → Magnet unit drops (audible sound).	Resistance in thermo current circuit too high. Not enough heat on thermocouple. Low voltage from thermocouple. Short because thermocouple end is damaged or not centered.	Check cable in thermo-current circuit. See wiring diagram pg. 6, GV60_II_EN-11.2008. Check position of pilot to thermocouple and intensity of pilot flame. Replace thermocouple Do not overtighten (hand tight +1/4 turn max). See "Thermo Circuit" pg. 5, GV60_II_EN-11.2008. Replace thermocouple. Do not overtighten (hand tight +1/4 turn max). See "Thermo Circuit" pg. 5, GV60_II_EN-11.2008.
		No →	IGN-sequence stops. No reaction to transmitter command. (Controller crashes.)	Press RESET button. See "Setting the Electronics Code" pg. 2, GV60_OI_EN-11.2008. Add ground wire between pilot burner and valve. See wiring diagram pg. 6, GV60_II_EN-11.2008. Do not coil the IGN-cable. Shorten IGN-cable if possible (no longer than 900 mm). See wiring diagram pg. 6, GV60_II_EN-11.2008.

OK
↓

7.	Main burner is lit.	No →	Manual knob in "MAN" position.	Turn manual knob to "ON" position (positive latch is required). See "Manual Operation" pg. 4, GV60_OI_EN-11.2008.
-----------	---------------------	------	--------------------------------	---

OK
↓

8.	Main burner stays lit.	No →	Too much draft at pilot (poor flame impingement of thermo-couple).	Check installation. See "Pilot Flame Adjustment" pg. 7, GV60_II_EN-11.2008.
-----------	------------------------	------	--	---

OK
↓

9.	Magnet unit drops while motor turns. 3 beeps.	No →	Low batteries.	Replace receiver batteries with 1.5V "AA" quality alkaline batteries.
-----------	---	------	----------------	---

System can be switched OFF via the electronics.	No →	System CAN be switched OFF via ON/OFF switch.	No →	Short in interrupter between TC- and SW- cable.	Check connection to interrupter block. See wiring diagram pg. 6, GV60_II_EN-11.2008.
YES ↓ OK		YES ↓ OK	OK →	Replace gas valve (magnet unit [CE only]). See "Installation Instructions" pg. 3, GV60_II_EN-11.2008.	

Appendix 2 - Appliance Commissioning Checklist & Customer Sign Off

Section 1 to 3 - to be completed by the Gas Safe Engineer

Section 4 & 5- to be completed by the Customer & the Gas Safe Engineer

SECTION 1 - FLUE CHECKLIST	YES	NO
Is the Flue correct for appliance? All Locking Bands fitted?		
Has the flue been checked for Leaks?		
Have the inner and outer Flue Collars been fitted correctly & gasket seals all ok?		
Has a Wire Basket been fitted to the outside Horizontal Terminal on the wall?		

SECTION 2 - GAS CHECKLIST	<i>Please write in here the Mbar Measured</i>	YES	NO
Gas soundness – All joints fully tested?	N/A		
ON/OFF Tap with Pressure Check Point be fitted?	N/A		
Standing Gas Pressure (Mbar) – Inlet Pressure?			
Appliance Burner Working Pressure (on HIGH FLAME Setting – HOT Stove) NB All other gas appliances must be operating on full (Mbar)?			
Pilot Assembly & thermocouple all checked & working correctly?	N/A		

SECTION 3 - SAFETY CHECKLIST	YES	NO
Glass checked to ensure no damage, scratches, scores, fingerprints or cracks?		
Inner glass frame secured correctly & QTY 6 x screws replaced, seal fitted either side of glass all ok?		
Ceramic Logs and embers have been fitted correctly? – Not covering the thermocouple area?		
Relief Valve Flap (RVF) on the top of the stove & gasket are fitted correct and RVF is fully closed position?		
GV 60 Valve Control Dial is clicked into the ON Position?		
Receiver Unit is fully fitted into the Silver Heatproof Housing & the wiring loom is all secure?		
Anti tip forward Chain Fitted? & Screw to lock the flue pipe to the collar fitted?		

SECTION 4 - CUSTOMER HAND OVER CHECKLIST	YES	NO
Customer fully understands how to use the remote control?		
Customer understands all of the function of the Stove?		
Customer is given this copy of the Operating Manual?		
Customer understands how to fit new batteries into the battery pack at the rear of the stove?		
Customer Understand where the gas shut off valve is installed for the stove?		
Customer has no issues with the stove?		

SECTION 5 - CUSTOMER SIGN OFF	GAS SAFE ENGINEER SIGN OFF
Customer Name:	Gas Safe Engineer Full Name:
Customer Signature:	Gas Safe Engineer Signature:
Date:	Date:
	Gas Safe Engineer Registration Number:


Appendix 3 - Annual Servicing Records

For your warranty to be valid you must have this stove serviced once a year by a Gas Safe Registered Engineer who is qualified to service gas balanced flue stove, please record the details here and attach your invoice as proof of service

Annual Service Record – Year 1	Annual Service Record – Year 2	Annual Service Record – Year 3
Name of Gas Safe Register Engineer who completed the service	Name of Gas Safe Register Engineer who completed the service	Name of Gas Safe Register Engineer who completed the service
Telephone & Email Contact Details	Telephone & Email Contact Details	Telephone & Email Contact Details
Engineers Gas Safe Registration Number	Engineers Gas Safe Registration Number	Engineers Gas Safe Registration Number
Date of Service	Date of Service	Date of Service
Cost of Service	Cost of Service	Cost of Service
Glass Seal Replaced on Inner Glass YES or NO – <i>please circle which one</i>	Glass Seal Replaced on Inner Glass YES or NO – <i>please circle which one</i>	Glass Seal Replaced on Inner Glass YES or NO – <i>please circle which one</i>
Other Notes	Other Notes	Other Notes

Annual Service Record – Year 4	Annual Service Record – Year 5	Annual Service Record – Year 6
Name of Gas Safe Register Engineer who completed the service	Name of Gas Safe Register Engineer who completed the service	Name of Gas Safe Register Engineer who completed the service
Telephone & Email Contact Details	Telephone & Email Contact Details	Telephone & Email Contact Details
Engineers Gas Safe Registration Number	Engineers Gas Safe Registration Number	Engineers Gas Safe Registration Number
Date of Service	Date of Service	Date of Service
Cost of Service	Cost of Service	Cost of Service
Glass Seal Replaced on Inner Glass YES or NO – <i>please circle which one</i>	Glass Seal Replaced on Inner Glass YES or NO – <i>please circle which one</i>	Glass Seal Replaced on Inner Glass YES or NO – <i>please circle which one</i>
Other Notes	Other Notes	Other Notes

Appendix 4 - Energy Efficiency Label



ENERG

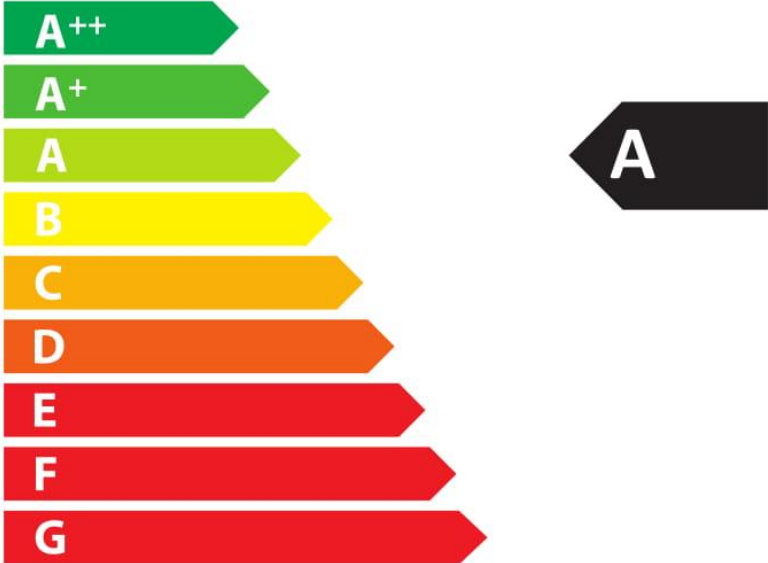
енергия · ενέργεια




Y
IJA

IE
IA

AGA Rangemaster

Ellesmere ECG -
Balanced Fuel Gas



4,37

kW

ENERGIA · ЕНЕРГИЯ · ΕΝΕΡΓΕΙΑ · ENERGIJA · ENERGY · ENERGIE · ENERGI

2015/1186

With AGA Rangemaster's policy of continuous product improvement, the Company reserves the right to change specifications and make modifications to the appliance described and illustrated at any time



AGA Rangemaster
Station Road,
Ketley
Telford,
Shropshire
TF1 5AQ
United Kingdom
www.agastoves.co.uk



**This Stove is
Manufactured in the UK**