

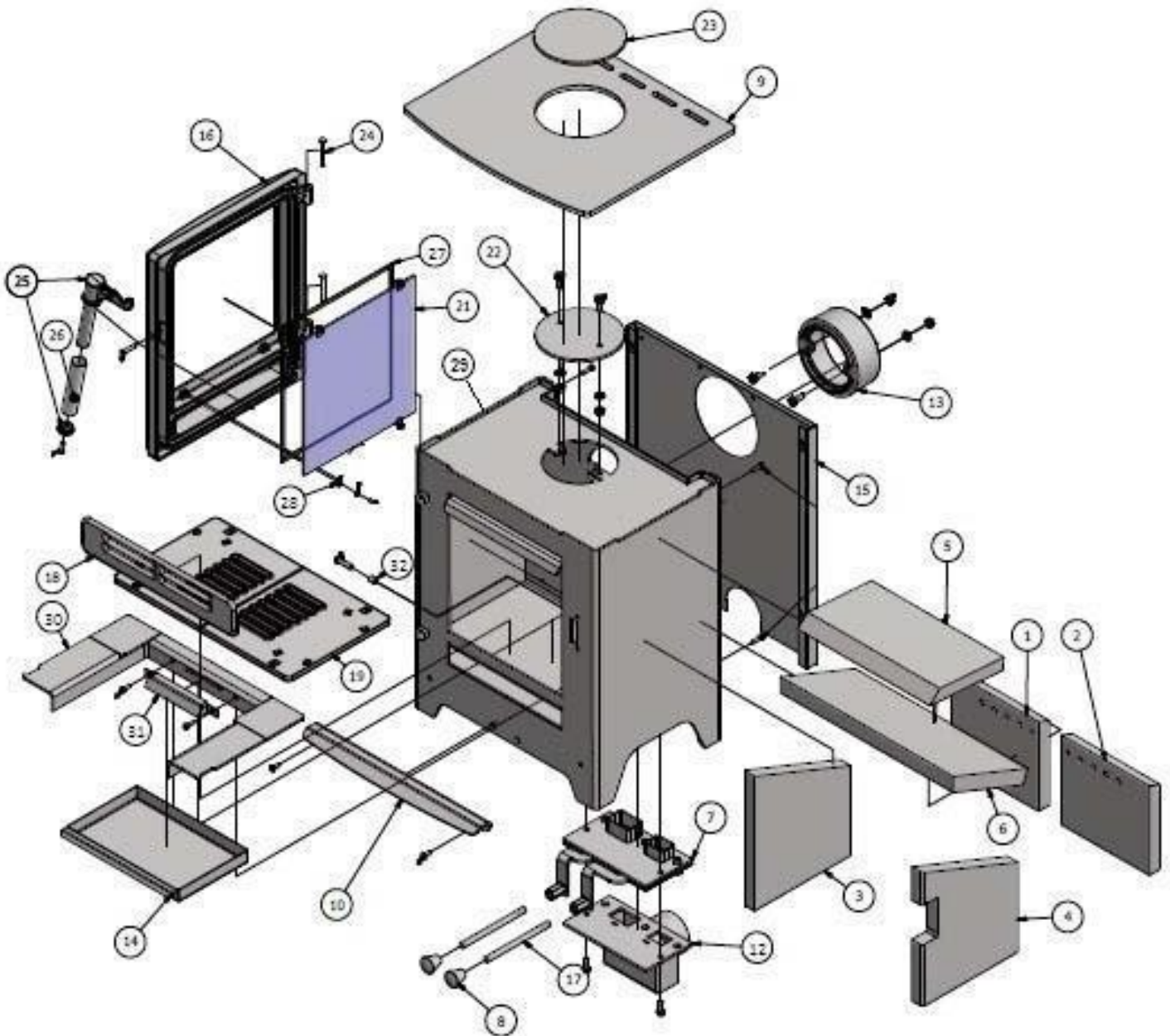
# ELLESMERE EC5 ECO DESIGN RANGE

## PARTS LIST

Issued Sept 2021/B



ELLESMERE EC5 COMPACT MODEL - EXPLODED VIEW



ANY DESCRIPTION PREFIXED WITH ECE MEANS THIS PART IS COMMON BETWEEN THE EC4, EC5 & EC5W STOVES - PLEASE REFER TO INDEX TABLES OVERLEAF

EC5W STOVES. Items **HIGHLIGHTED** are not sold individually



ELLESMERE ECO DESIGN RANGE – PARTS LIST

ELLESMERE EC5 COMPACT MODEL - INDEX TABLE

REF. NO.	PART NUMBER	PART DESCRIPTION & QTY'S PER STOVE	AMOUNT PER STOVE
		ELLESMERE EC5 (5.0KW STANDARD MODEL)	
	A5 FIREBOARD SET	SET OF SIX BRICKS (MUST BE BOUGHT AS SET)	1
1	A5-BB	EC5 - LH BACK REFRACTORY BRICK	1
2	A5-BB_MIR	EC5 - RH BACK REFRACTORY BRICK	1
3	A5-SB LH	EC5 - LHS REFRACTORY BRICK	1
4	A5-SB	EC5 - RHS REFRACTORY BRICK	1
5	A5-TB	EC5 - TOP BAFFLE	1
6	A5-MB	EC5 - BOTTOM BAFFLE	1
7	A4-AI-ASSY	ECE - AIR MANAGEMENT INLET ASSEMBLY	1
8	A4-KNOB SS	ECE - STAINLESS STEEL CONTROL KNOB	2
9	ELL-A5-09	EC5 - TOP PLATE	1
10	A5-10	EC5 - ASH SHELF	1
12	AOSSOL	ECE - OUTSIDE AIR KIT - EXCLUDES ANY FLEXIBLE PIPE TO EXTERNAL WALL FITTING	1
13	A4 COLLAR	ECE - FLUE SPIGOT	1
14	A5-ASHTRAY	EC5 – ASHPAN	1
15	A5 HS RE	EC5 - REAR BACK HEATSHIELD	1
16	ELL-A513886 5KW DOOR	EC5 - CAST DOOR	1
17	A5 AIR CONTROL ROD	EC5 - AIR CONTROL ROD 200MM	2
18	A5 RET BAR CAST	EC5 - FIRE FENCE - LOG RETAINER	1
19	W5 CAST GRATE LR	EC5 - A5 GRATE PLATES	2
21	A5 FD10	EC5 - DOOR GLASS	1
22	A4-04 REAR BLANK	ECE - FLUE BLANKING PLATE	1
23	ELL-A5 BLANK PLUG	EC5 - TOP PLATE FILLER	1
24	6X50 PIN	ECE - HINGE PIN	2
25	HANDLE ASSY	ECE - HANDLE ASSEMBLY – COMPLETE WITH OUTER SLEEVE	1
26	HANDLE SLEEVE SS	ECE - HANDLE SLEEVE - STAINLESS STEEL FINISH	1
27	A5FD10 GASKET	EC5 - GLASS GASKET	1
28	BB GLASS CLIP	ECE - GLASS CLIP & SCREW	4
29	A5 MAIN BODY ASSY	EC5 – STOVE MAIN BODY	N/A
30	A5 GRATE RISER	EC5 - GRATE FRAME - GRATE RISER	1
31	A5INLET COVER	EC5 - PRIMARY AIR INLET COVER	1
32	A455W8 ROLLER	ECE - LOCK ROLLER - STAINLESS STEEL & SCREW	1
N/A	ECE-250-BL-PAINT	ECE - 250ML TIN OF BLACK ELLESMERE PAINT	
N/A	ECE-500-BL-PAINT	ECE - 500ML TIN OF BLACK ELLESMERE PAINT	
N/A	ECE-FCHS	ECE - FLUE COLLAR HEAT SHIELD	1
N/A	A5 DRSEAL	EC5 DOOR ROPE SEAL	1
N/A	ECE DEFRA/KIT	ECE – TO MAKE THE STOVE COMPLAINT WITH THE DEFRA REQUIREMENT	1

ANY DESCRIPTION PREFIXED WITH ECE MEANS THIS PART IS COMMON BETWEEN THE EC4, EC5 & EC5W