

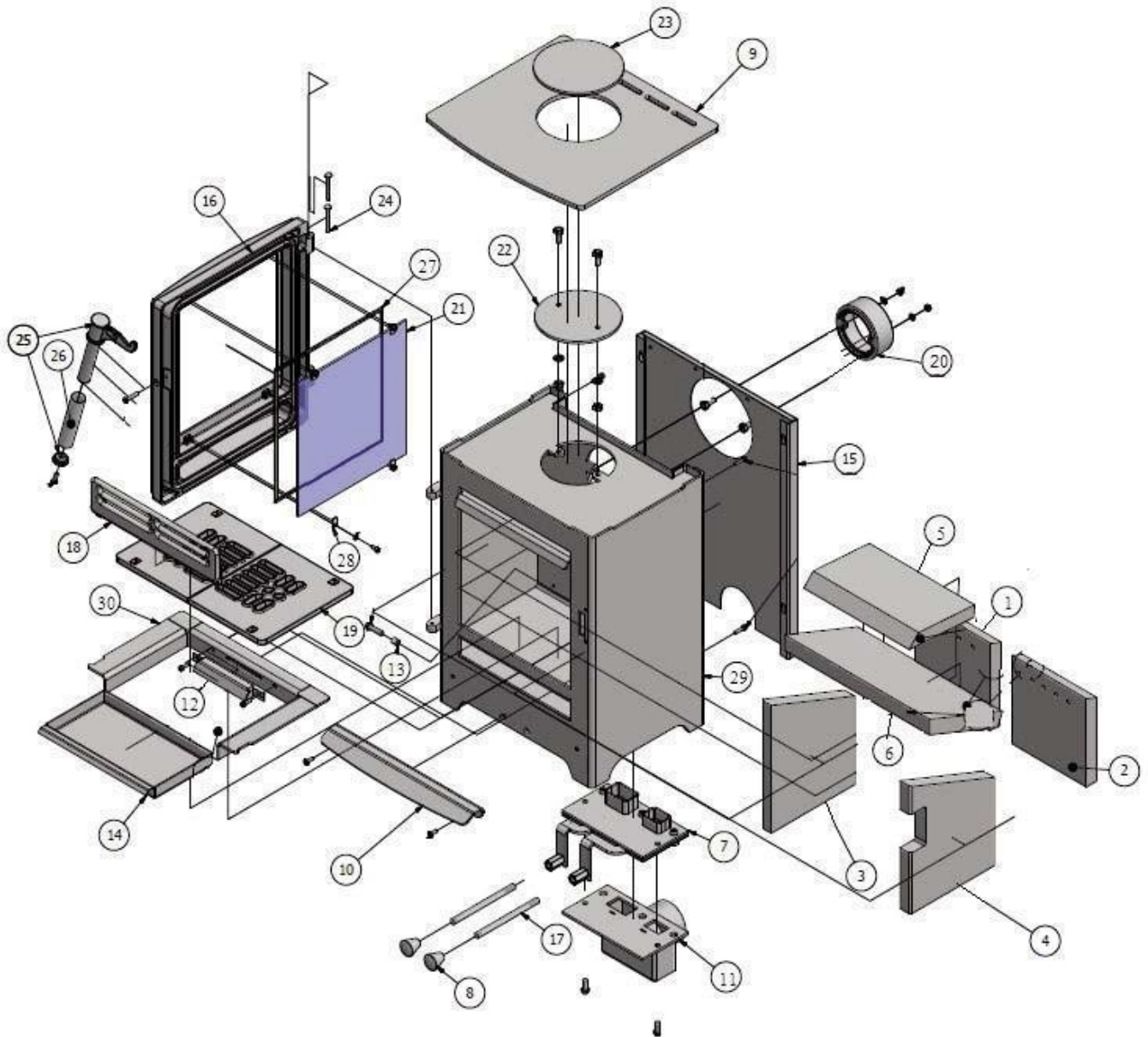
ELLESMERE EC4 ECO DESIGN RANGE

PARTS LIST

Issued Sept 2021/B



ELLESMERE EC4 COMPACT MODEL - EXPLODED VIEW



ANY DESCRIPTION PREFIXED WITH ECE MEANS THIS PART IS COMMON BETWEEN THE EC4, EC5 & EC5W STOVES - PLEASE REFER TO INDEX TABLES OVERLEAF

EC5W STOVES. Items **HIGHLIGHTED** are not sold individually

ELLESMERE EC4 COMPACT MODEL - INDEX TABLE

REF. NO.	PART NUMBER	PART DESCRIPTION & QTY'S PER STOVE	AMOUNT PER STOVE
		ELLESMERE EC4 (4.5KW COMPACT MODEL)	
	A4 FIREBOARD SET	SET OF SIX BRICKS (MUST BE BOUGHT AS SET)	1
1	A4-BB	EC4 - LH BACK REFRACTORY BRICK	1
2	A4-BB_MIR	EC4 - RH BACK REFRACTORY BRICK	1
3	A4-SB 2	EC4 - LHS REFRACTORY BRICK	1
4	A4-SB	EC4 - RHS REFRACTORY BRICK	1
5	A4-TB	EC4 - TOP BAFFLE	1
6	A4-MB	EC4 - BOTTOM BAFFLE	1
7	A4-AI-ASSY	ECE - AIR MANAGEMENT INLET ASSEMBLY	1
8	A4-KNOB SS	ECE - STAINLESS STEEL CONTROL KNOB	2
9	A4-09	EC4 - TOP PLATE	1
10	A4-10	EC4 - ASH SHELF	1
11	AOSSOL	ECE - OUTSIDE AIR KIT - EXCLUDES ANY FLEXIBLE PIPE TO EXTERNAL WALL FITTING	1
12	A4INLET COVER	EC4 - PRIMARY AIR INLET COVER	1
13	A45W8 ROLLER	ECE - LOCK ROLLER & SCREW - STAINLESS STEEL	1
14	A4-ASHTRAY	EC4 – ASHPAN	1
15	A4 HS RE	EC4 - REAR BACK HEATSHIELD	1
16	A413886 4KW DOOR	EC4 - CAST DOOR	1
17	A4 AIR CONTROL ROD	EC4 - AIR CONTROL ROD 177MM	2
18	A4 LOG RETAINER	EC4 - FIRE FENCE - LOG RETAINER	1
19	A4 CAST GRATE ASSY	EC4 - A4 GRATE PLATES	2
20	A4 COLLAR	ECE - FLUE SPIGOT	1
21	A4 FD9	EC4 - DOOR GLASS	1
22	A4-04 REAR BLANK	ECE - FLUE BLANKING PLATE	1
23	A4 BLANK PLUG	ECE - TOP PLATE FILLER	1
24	6X50 PIN	ECE - HINGE PIN	2
25	HANDLE ASSY	ECE - HANDLE ASSEMBLY – COMPLETE WITH OUTER SLEEVE	1
26	HANDLE SLEEVE SS	ECE - HANDLE SLEEVE - STAINLESS STEEL FINISH	1
27	A4FD9 GASKET	EC4 - GLASS GASKET	1
28	BB GLASS CLIP	ECE - GLASS CLIP & SCREW	4
30	A4 GRATE RISER	EC4 - GRATE FRAME - GRATE RISER –	1
N/A	ECE-250-BL-PAINT	ECE - 250ML TIN OF BLACK ELLESMERE PAINT	
N/A	ECE-500-BL-PAINT	ECE - 500ML TIN OF BLACK ELLESMERE PAINT	
N/A	ECE-FCHS	ECE - FLUE COLLAR HEAT SHIELD	1
N/A	A4 DRSEAL	EC4 - DOOR ROPE SEAL –	1
N/A	ECE DEFRA/KIT	ECE – TO MAKE THE STOVE COMPLAINT WITH THE DEFRA REQUIREMENT	1

ANY DESCRIPTION PREFIXED WITH ECE MEANS THIS PART IS COMMON BETWEEN THE EC4, EC5 & EC5W