

PMV 32/38

3 Port Motorised Valve



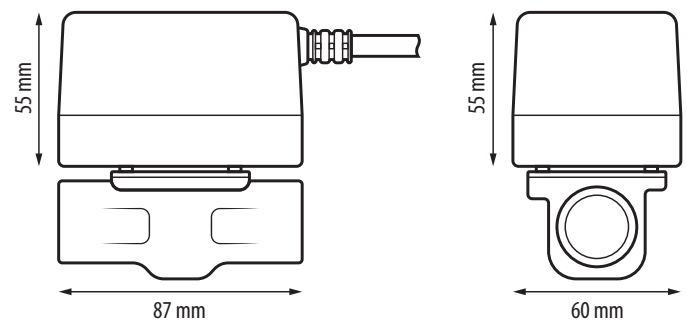
Premium Motorised Valve used for domestic central heating and hot water systems. Available in 22 & 28mm pipe diameter.

Characteristics

- Industry colour coded wiring with 1m cable
- Detachable head
- Compatible with Honeywell bodies
- 5 year warranty

Features

Product	3 Port Motorised Valve
Power consumption	6 W
Output	NO/COM
Liquid temperature range	5°C - 88°C
Max. static pressure	8.6 bar
Differential pressure	1" - 0.8 bar 3/4" - 0.6 bar
Protection class	IP20
Max. load	3 A
Dimensions (mm)	87 x 55 x 60



Connection scheme

