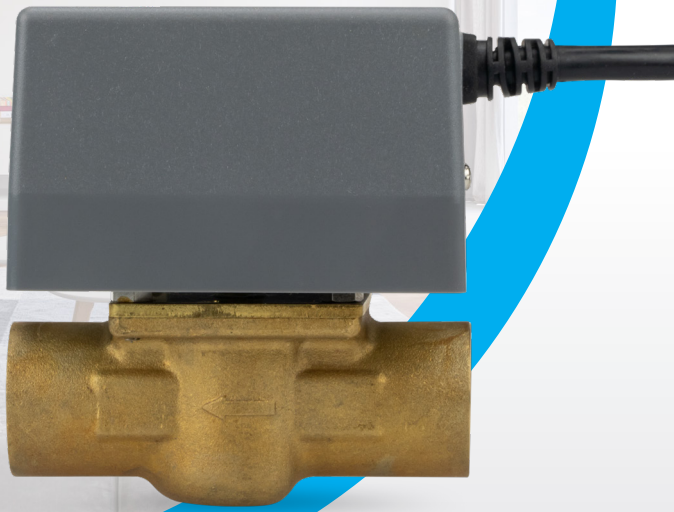


# PMV22 / 28

2 Port Motorised Valve



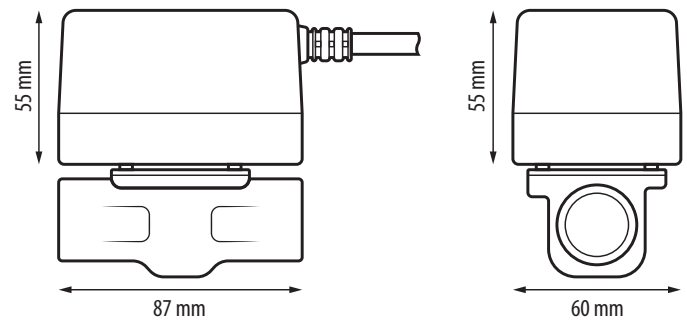
The electrically operated zone valve is designed to control the flow of water in a central heating system. The body is made of brass, on which an actuator with a return spring and a limit switch is mounted. It is possible to open the valve manually and lock it. The actuator is made in the NC version (closed currentless device).

### Characteristics

- Industry colour coded wiring with 1m cable
- Detachable head
- Standard hydraulic and electrical connections
- Suitable for heating and cooling installations
- Removable actuator housing
- Standard wiring Compatible with Honeywell bodies
- 5 year warranty

### Features

Product	2 Port Motorised Valve
Power consumption	6 W
Output	NO/COM
Liquid temperature range	5°C - 88°C
Max. static pressure	8.6 bar
Differential pressure	1" - 0.8 bar 3/4" - 0.6 bar
Protection class	IP20
Max. load	3 A
Dimensions (mm)	87 x 55 x 60



### Connection scheme

